



WALL MOUNTED and FLOOR MOUNTED
Stainless Steel Urinal Screens

Material Specification

1 . 0 1 Construction

Screens shall be constructed of two sheets of panel flatness type 304, #4 brushed finish stainless steel, laminated under pressure to a vertical honeycomb core for impact resistance, sound deadening and rigidity. Formed edges to be welded together and inter-locked under tension with a roll-formed oval crown locking bar, mitred, welded and ground smooth at the corners. Honeycomb to have a maximum 12.5mm (0.5") cell size.

1 . 0 2 Wall Mounted Screens

Screens shall be 25mm (1") thick with cover sheets not less than 22-gauge (0.8mm / .030"). Screens must be 457mm (18") or 610mm (24") deep by 1219mm (48") high and anchored into the wall approximately 305mm (12") off the floor with two brackets spaced 902mm (35.5") apart.

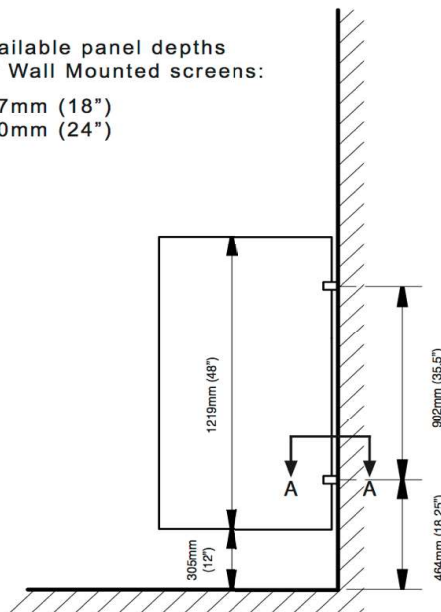
1 . 0 4 Hardware & Fittings

Wall mounted and floor mounted screens shall be fastened to the wall with double-ear brackets. Floor mounted screens shall be fastened to the supporting pilaster with "U" brackets. Fasteners are theft-proof 6-lobe security head stainless steel screws.

1 . 0 5 Finish

Type 304, #4 brushed stainless steel.

Available panel depths
for Wall Mounted screens:
457mm (18")
610mm (24")



Wall Mounted Screen