



Estimate

ADDRESS
DEACON CONSTRUCTION
ATTN: ALEX NEMETH
RE: KE - GRESHAM, OR

ESTIMATE 11345
DATE 06/12/2024

SALES REP
CHRISTINA 619-635-2888

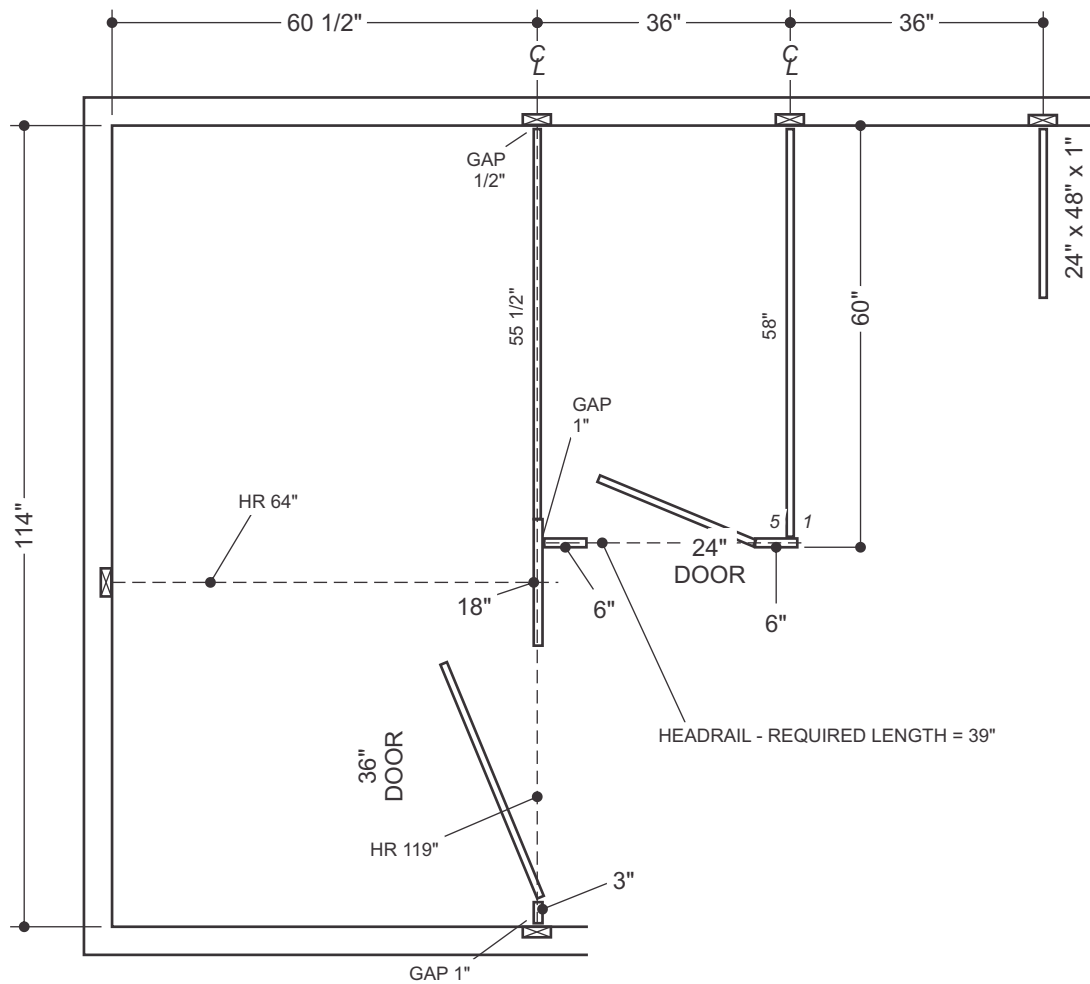
| ITEM | DESCRIPTION | QTY |
|---------------------------|--|-----|
| MATERIAL-EXPENSE | HDPE/SOLID PLASTIC HINY HIDERS | |
| STYLE | FLOOR MOUNTED/OVERHEAD BRACED | |
| HARDWARE | HARDWARE INCLUDED PER ATTACHED | |
| COLOR | CHARCOAL GREY, ORANGE PEEL TEXTURE | |
| STALLS | INCLUDED IN PROPOSAL | 5 |
| SCREENS | INCLUDED IN PROPOSAL | 1 |
| CAN SHIP IN | APPROX. 6 BUSINESS DAYS | |
| STANDARD FREIGHT INCLUDED | BASED ON (1) SINGLE SHIPMENT TO 97030 FROM CA (ESTIMATED 2-4 BUSINESS DAYS TRANSIT) | |
| | *** SALES TAX WILL BE ADDED IF SHIPPING TO CA, TN, TX, OK, NY, FL, GA, MA, NJ, WA, AZ, MI, MN, NC, VA, IL AND MD. | |

• QUOTES ARE VALID FOR 30 DAYS
 • QUANTITIES & DESCRIPTIONS NOT GUARANTEED TO AGREE WITH
 PLANS AND/OR SPECS. IT IS YOUR RESPONSIBILITY TO REVIEW ENTIRE
 QUOTE/SUBMITTAL PRIOR TO BIDDING YOUR PROJECT. YOU ARE ALSO
 RESPONSIBLE FOR VERIFYING LOCAL MUNICIPALITY / CODE
 COMPLIANCE.
 ANY CHANGES MADE CAN IMPACT PRICING.

| | |
|--------------|-------------------|
| SUBTOTAL | 5,460.00 |
| TAX (0%) | 0.00 |
| TOTAL | \$5,460.00 |

Accepted By

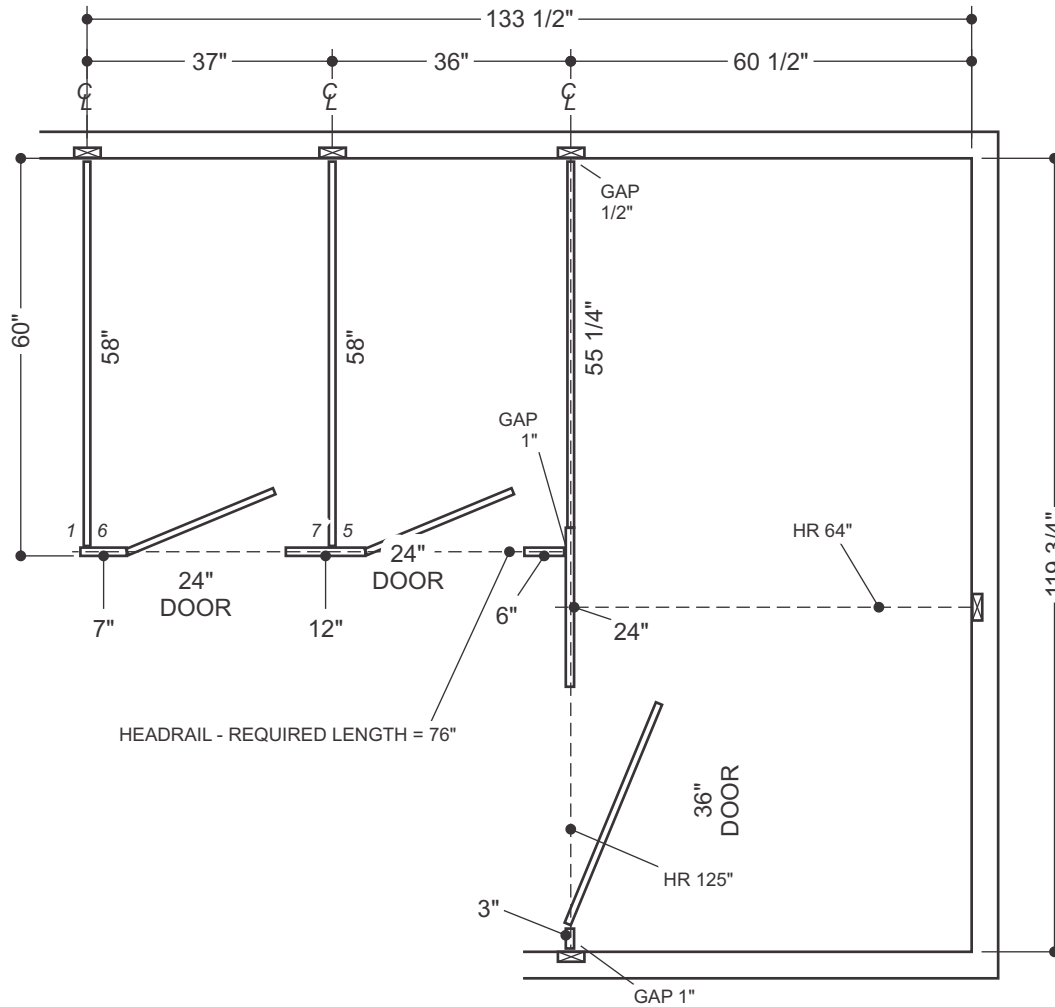
Accepted Date



MENS 105 - 1 THUS

ACCUTECH

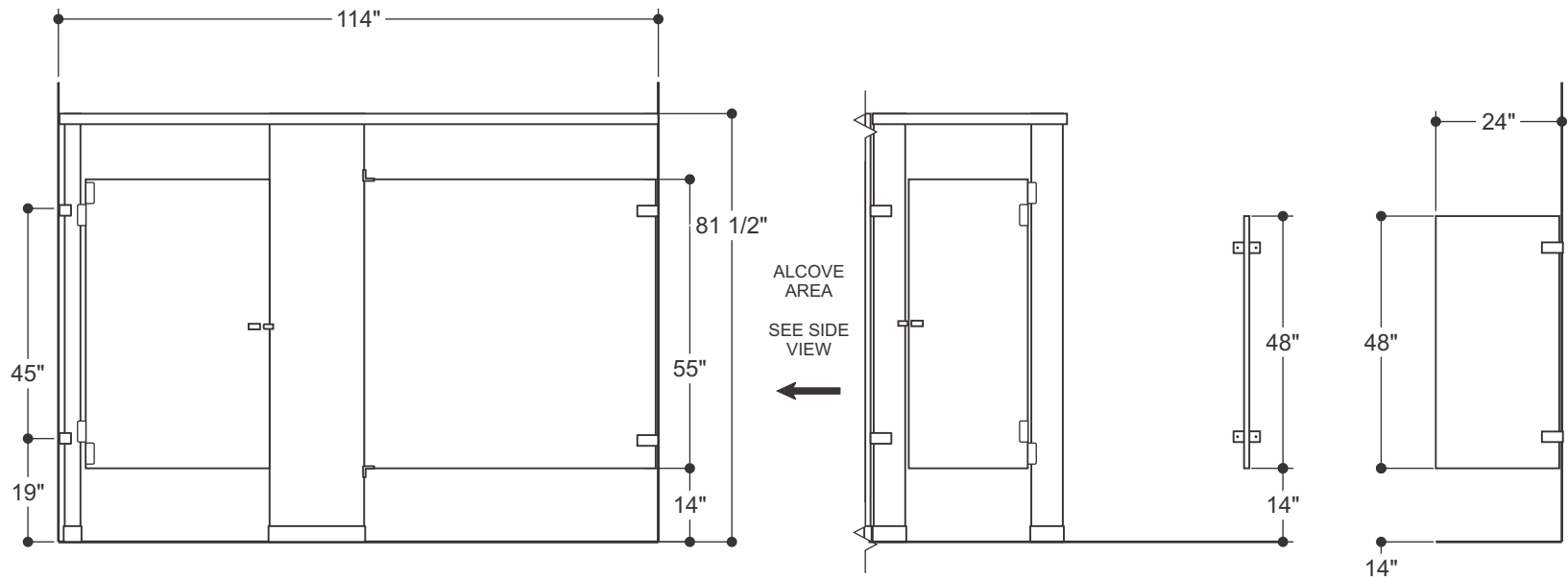
| | | |
|---|----------------------------|-------------------------|
| PROJECT NAME: KIDS EMPIRE - GRESHAM OR | BRACKETS: STIRRUP ALUMINUM | STYLE: OVERHEAD BRACED |
| | HINGES.: 8" WRAP AROUND | MAT'L: SOLID PLASTIC |
| | SHOES.: STAINLESS STEEL | HDWR: STIRRUP ALUMINUM |
| | DOOR & PANEL HEIGHT: 55" | COLOR: CHARCOAL GREY |
| | ROOM HEIGHT: | |
| CUSTOMER: FRY SPECIALTY | | |
| DRAWN BY: CARLOS ACCUTECH | | |
| DATE: 6/10/2024 | | |



WOMENS 104 - 1 THUS

ACCUTECH

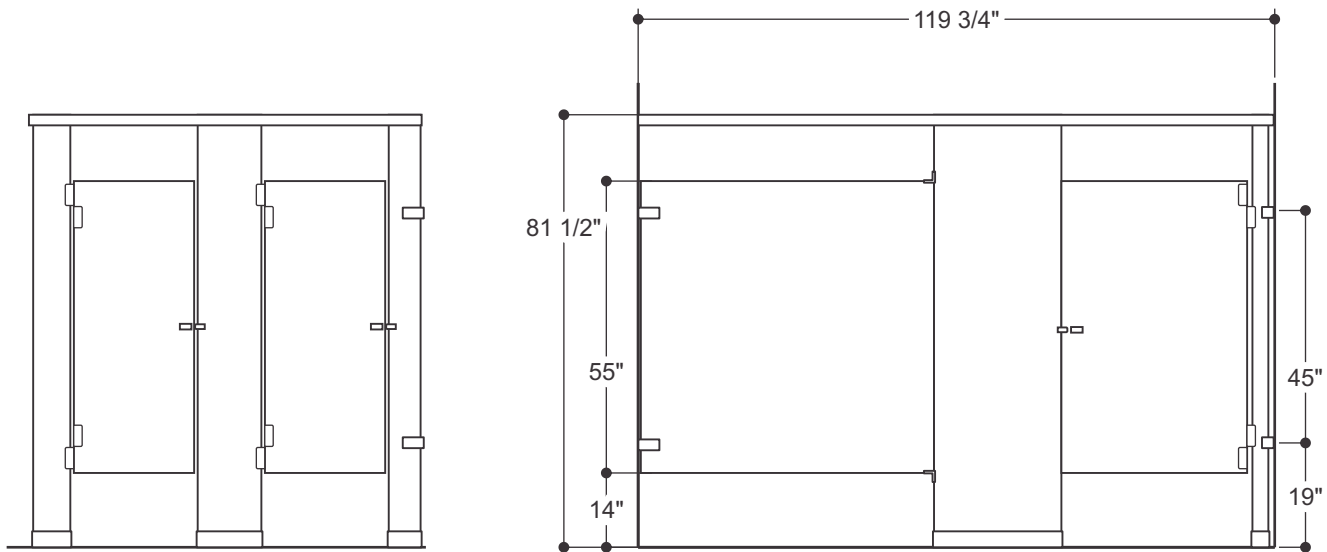
| | | | |
|---|----------------------------|--------------------------|-------------------------|
| PROJECT NAME: KIDS EMPIRE - GRESHAM OR | BRACKETS: STIRRUP ALUMINUM | STYLE: OVERHEAD BRACED | |
| | HINGES.: 8" WRAP AROUND | MAT'L: SOLID PLASTIC | |
| | CUSTOMER: FRY SPECIALTY | SHOES.: STAINLESS STEEL | HDWR: STIRRUP ALUMINUM |
| | DRAWN BY: CARLOS ACCUTECH | DOOR & PANEL HEIGHT: 55" | COLOR: CHARCOAL GREY |
| | DATE: 6/10/2024 | ROOM HEIGHT: | |



MENS 105 - 1 THUS

ACCUTECH

| | | | |
|-------------------------|---------------------------|----------------------------|------------------------|
| PROJECT NAME: | KIDS EMPIRE - GRESHAM OR | BRACKETS: STIRRUP ALUMINUM | STYLE: OVERHEAD BRACED |
| CUSTOMER: FRY SPECIALTY | DRAWN BY: CARLOS ACCUTECH | HINGES.: 8" WRAP AROUND | MAT'L: SOLID PLASTIC |
| DATE: 6/10/2024 | ROOM HEIGHT: | SHOES.: STAINLESS STEEL | HDWR: STIRRUP ALUMINUM |
| | | DOOR & PANEL HEIGHT: 55" | COLOR: CHARCOAL GREY |

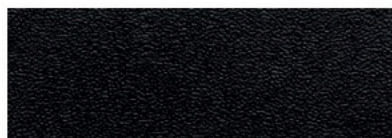


WOMENS 104 - 1 THUS

ACCU TEC

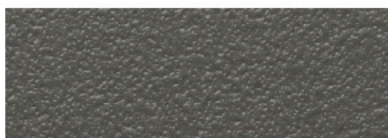
| | | | |
|---|----------------------------|--------------------------|-------------------------|
| PROJECT NAME: KIDS EMPIRE - GRESHAM OR | BRACKETS: STIRRUP ALUMINUM | STYLE: OVERHEAD BRACED | |
| | HINGES.: 8" WRAP AROUND | MAT'L: SOLID PLASTIC | |
| | CUSTOMER: FRY SPECIALTY | SHOES.: STAINLESS STEEL | HDWR: STIRRUP ALUMINUM |
| | DRAWN BY: CARLOS ACCUTECH | DOOR & PANEL HEIGHT: 55" | COLOR: CHARCOAL GREY |
| | DATE: 6/10/2024 | ROOM HEIGHT: | |

TRADITIONAL COLOR COLLECTION



BLACK[†]

OP



SHALE[†]

OP



GLACIER GREY[†]

OP



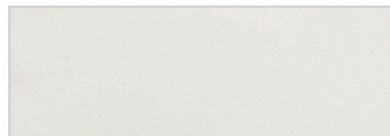
BLACK[†]

EX



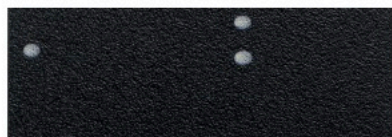
CHARCOAL GREY[†]

OP



WHITE[†]

OP



PAISLEY[†]

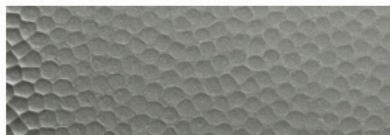
OP



GREY[†]

OP

METALLIC COLOR COLLECTION



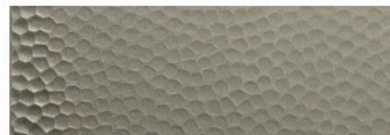
STAINLESS[†]

H



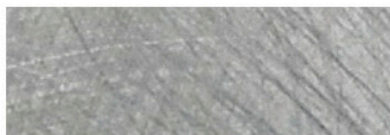
BRONZE[†]

H



NICKEL[†]

H



STAINLESS[†]

RB



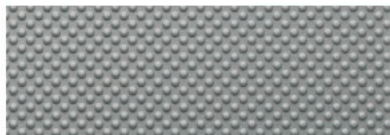
BRONZE[†]

RB



NICKEL[†]

RB



STAINLESS[†]

EX