
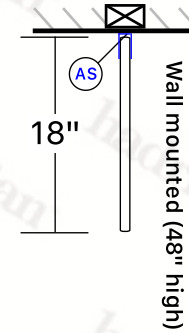
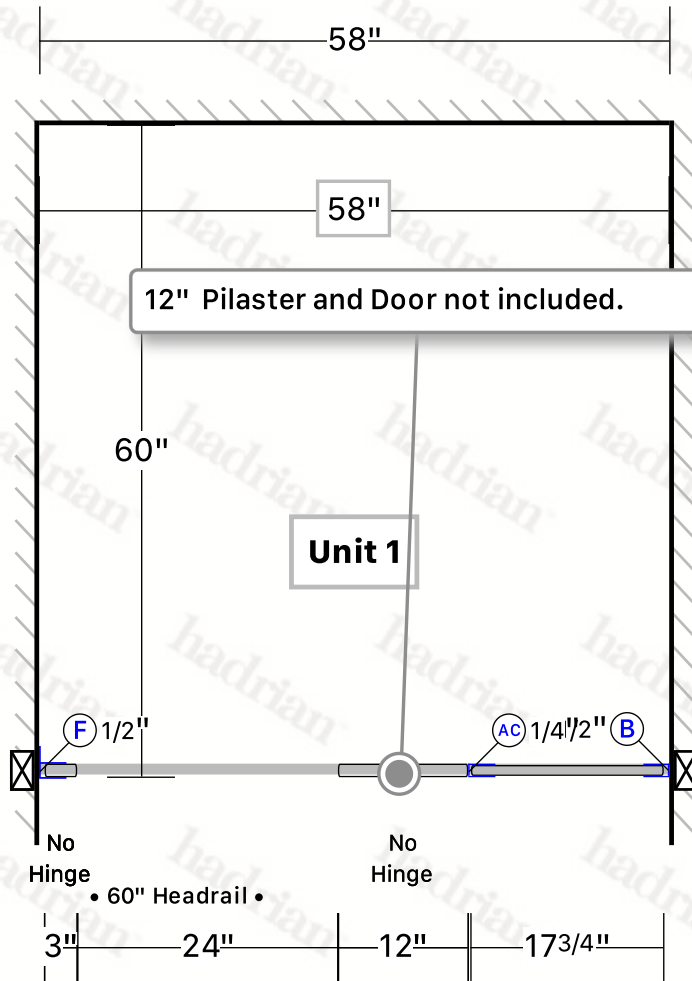


## Drawing Notes

- Compartment widths on drawings are shown at center line of panels.
- Compartment depths on drawings are shown from front face of pilaster to finished wall.
- Cut headrail in field to suit (if applicable).
- "X" on drawings indicates that backing is required.
- Fabrication will not commence until approval has been received.
- Material supplied will conform to the dimensions indicated on drawings.
- Scale of drawings - none.
-  on drawings indicates location of pilaster reinforcing channel(s).



Location of urinal screen(s) may not be correctly reflected in this drawing

LEGEND

(AC) Alcove Channel

(AS) Screen H Bracket

(B) F Bracket

(F) Pilaster F Bracket

Unit

Panel/Door height = 58"  
Panel/Door AFF = 12"

Product Toilet Partitions

Series Standard

Sightline Option None

Material Powder Coated

AFF 12"

Hinge Wrap

Finish 510 - Black

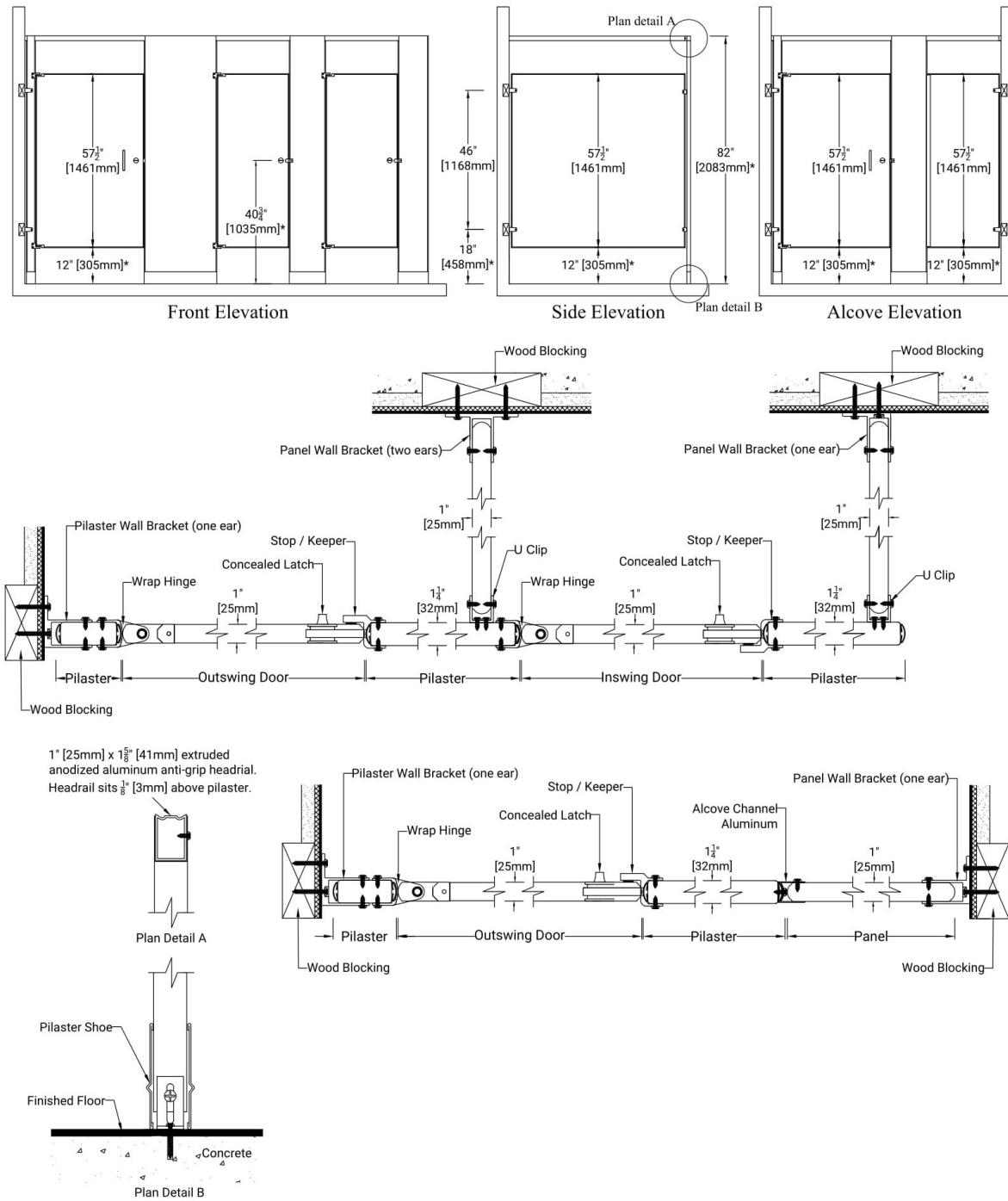
Hardware Standard Chrome

Latch Concealed

Partition Headrail Braced

Options None

**Metal Toilet Partitions**  
**Standard Series - Headrail Braced - 12" [305mm] AFF**  
**Chrome - Concealed Latch & Wrap Hinge**



**Important Notes:**

Refer to final drawings for wood blocking information. Wood blocking is critical to ensure a rigid installation. See material specifications for material and hardware finishes.

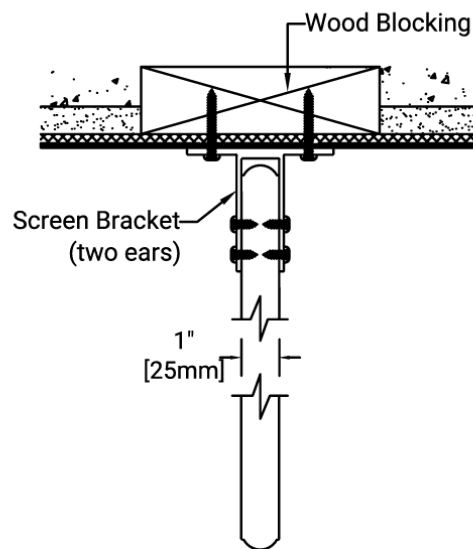
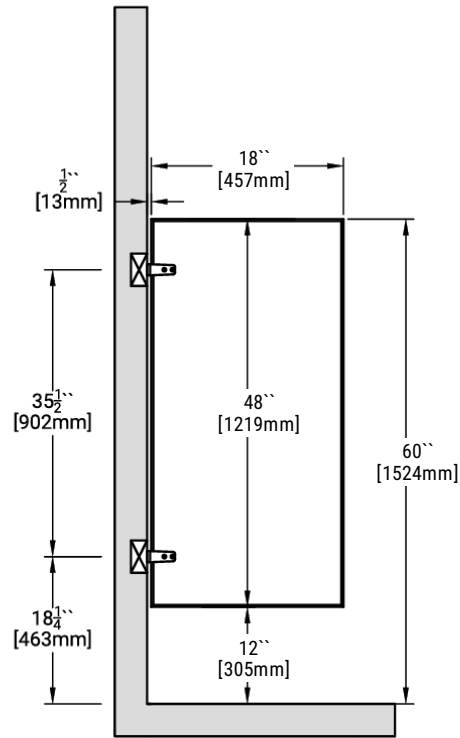
\*Above finish floor dimensions may vary due to floor level and cam position

**Metal Urinal Screens**

Standard Series - Wall mounted

12" [305mm] AFF

**Stirrup Bracket Installation**



**Available Panel Depths**

18" [457mm]

24" [610mm]