

## Material Specification

### HEADRAIL BRACED - POWDER COATED METAL TOILET PARTITIONS - STANDARD

#### 1.01 Construction Features

Doors, Panels and Pilasters shall be constructed of two sheets of panel flatness zinc - coated galvalume steel, ASTM A653 GR33, laminated under pressure to a honeycomb core for sound deadening and rigidity. Formed edges to be welded together and inter - locked under tension with a roll - formed oval crown locking bar, mitred, welded and ground smooth at the corners. Honeycomb to have a maximum 25 mm (1") cell size.

#### 1.02 Doors

Shall be 1461mm (57.5") high and 25mm (1") thick with cover sheets not less than 0.8mm (.030").

#### 1.03 Panels

Shall be 1461mm (57.5") high and (1") thick with cover sheets not less than 0.8mm (.030").

#### 1.04 Pilasters

Shall be 32mm (1.25") thick with cover sheets not less than 0.8mm (.030").

#### 1.05 Headrail

Shall be 25mm (1") by 41mm (1.625") extruded anodized aluminum with anti-grip design. Wall thickness to be 1.5mm (.060") and shall be securely attached to wall and pilasters with manufacturer's fittings in such a way as to make a strong and rigid installation. All joints in headrails shall be made at a pilaster.

#### 1.06 Pilaster Fastening Method

Pilasters shall be securely and rigidly fastened to the floor and fitted with a jack levelling screw for vertical adjustment. The floor fastening shall be concealed and protected by a 102mm (4") high, die-formed stainless steel pilaster shoe.

#### 1.07 Hardware and Fittings

All panel and pilaster brackets and all door hardware shall be chrome plated zinc die castings.

Fasteners are zinc plated 12 x 1-3/4" and 12 x 5/8" TR-27 6-lobe security screws.

Doors shall be equipped with chrome plated zinc die cast gravity type hinges, mounted on upper and lower pilaster hinge brackets.

Threaded top hinge pin shall be metal with a self-lubricating nylon sleeve. Door hinges shall be fully concealed within the thickness of the door and adjustable to permit the door to come to rest at any position when not latched.

Coat Hook and Bumper: Each door to be fitted with a combined coat hook and bumper. Finish to match other hardware items.

Latch to be a concealed, chrome plated zinc die casting with face mortised flush with edge strip of door.

The combined stop and keeper shall have a 19mm (0.75") diameter bumper locked in place. Finish to match other hardware items.

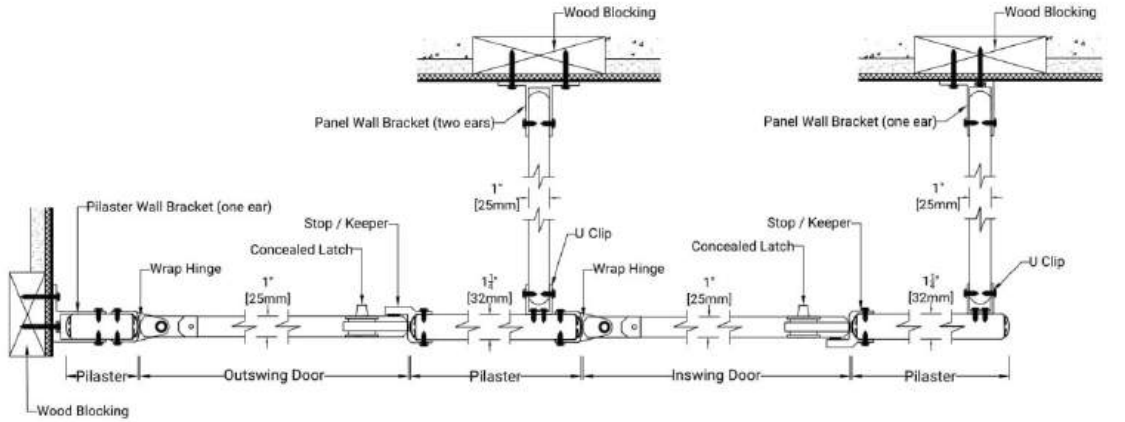
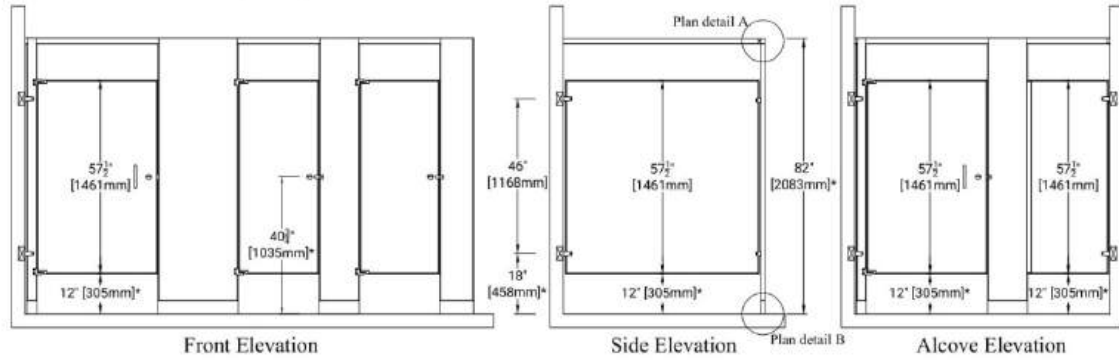
Pilaster shoes to be stainless steel with a #4 brushed finish.

#### 1.08 Finish

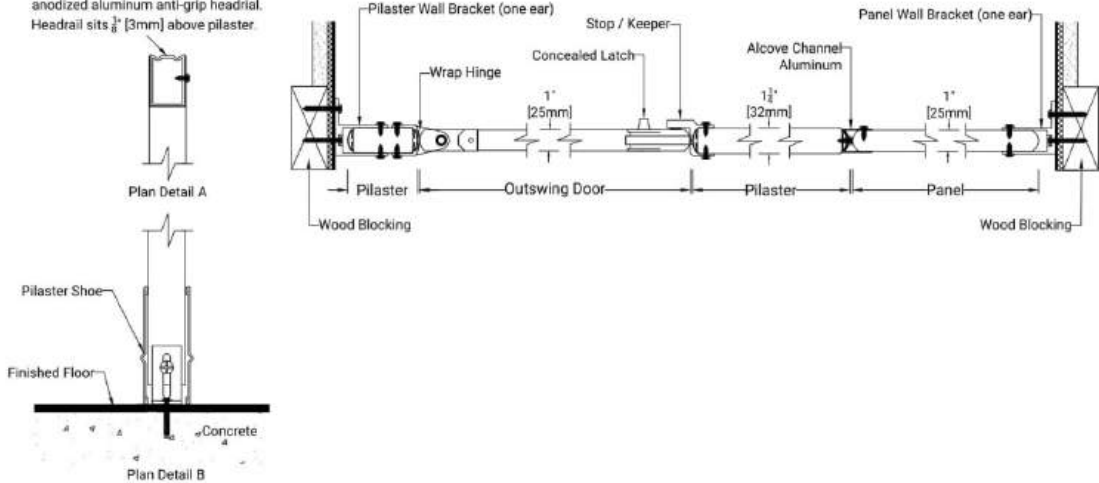
All sheet metal to be thoroughly cleaned, phosphated and finished with a high performance powder coating, baked on to provide a uniform smooth protective finish. Color shall be as selected from Hadrian's color card.



**Metal Toilet Partitions**  
**Standard Series - Headrail Braced - 12" [305mm] AFF**  
**Chrome - Concealed Latch & Wrap Hinge**



1" [25mm] x 1 1/2" [41mm] extruded anodized aluminum anti-grip headrail. Headrail sits 3/8" [3mm] above pilaster.



**Important Notes:**

Refer to final drawings for wood blocking information. Wood blocking is critical to ensure a rigid installation. See material specifications for material and hardware finishes.

\*Above finish floor dimensions may vary due to floor level and cam position

## **WALL MOUNTED - POWDER COATED METAL URINAL SCREENS - STANDARD**

### **1.01 Construction**

Screens shall be constructed of two sheets of panel flatness zinc-coated galvalume steel, ASTM A653 GR33, laminated under pressure to a honeycomb core for sound deadening and rigidity. Formed edges to be welded together and inter-locked under tension with a roll-formed oval crown locking bar, mitred, welded and ground smooth at the corners. Honeycomb to have a maximum 25mm (1") cell size.

### **1.02 Wall Mounted**

Screens shall be 25mm (1") thick with cover sheets not less than 22-gauge (0.8mm / .030"). Screens shall be 457mm (18") or 610mm (24") deep by 1219mm (48") high and anchored into the wall approximately 305mm (12") off the floor.

### **1.03 Hardware & Fittings**

Screens shall be fastened to the wall with double-ear brackets that are chrome plated zinc die cast. Floor mounted with pilaster and floor to ceiling mounted with post to be fastened to the front support with "U" brackets that are chrome plated zinc die cast.

### **1.04 Finish**

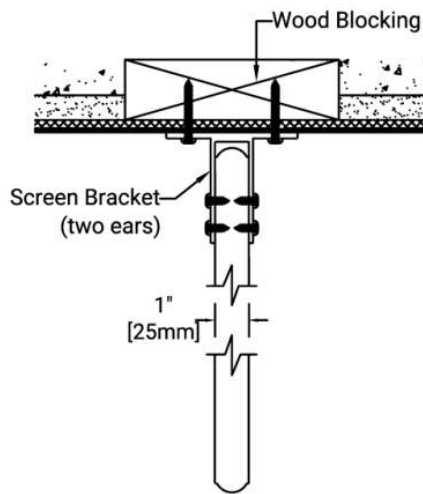
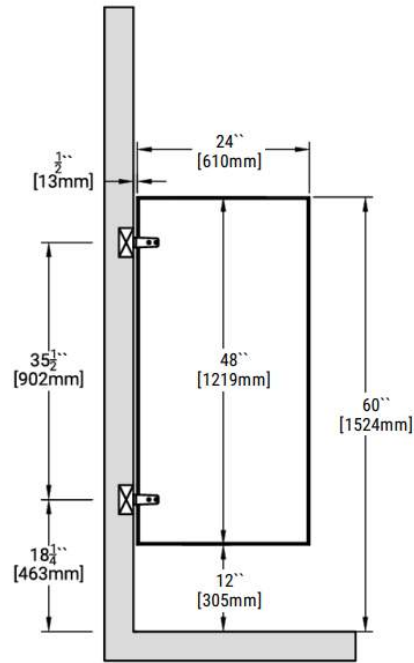
All sheet metal to be thoroughly cleaned, phosphated and finished with a high performance powder coating, baked on to provide a uniform smooth protective finish. Color shall be as selected from Hadrian's color card.

**Metal Urinal Screens**

Standard Series - Wall mounted

12" [305mm] AFF

**Stirrup Bracket Installation**



**Available Panel Depths**

18" [457mm]

24" [610mm]

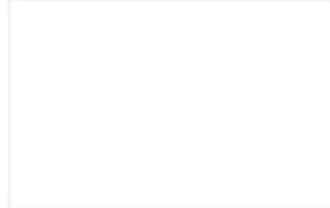


**Powder Coated Color Card** **SOLID COLORS**

Great care to ensure that these color swatches are the closest possible representations of finishes. Colors, textures and gloss levels may vary.



535 LIGHT GREY



541 EXTRA WHITE



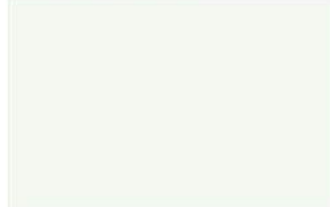
603 ALMOND



607 BORDEAUX



621 SLATE



504 LINEN



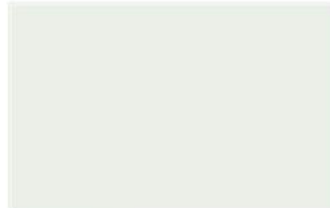
532 LATTE



576 RUBY RED



545 CHARCOAL



500 WHITE



585 SAHARA



581 MOSS GREEN



510 BLACK



639 SAPPHIRE BLUE



609 COLONIAL BLUE