



TOILET COMPARTMENT LAYOUT SHEET

DISTRIBUTOR FRY SPECIALTY INC

DATE 6/19/2026

P.O.NO. _____

REV. 6/19/2026

S.O.NO. _____

JOB NAME 902812

LOCATION Encinitas

ARCHITECT _____

CONTRACTOR _____

ARCHITECTURAL/CUSTOMER APPROVAL

PLEASE INDICATE APPROVAL OR RESUBMISSION OF ATTACHED TOILET COMPARTMENTS BY FILLING OUT THE LINES BELOW. APPROVED DRAWINGS REQUIRE A SIGNATURE ON EACH PAGE.

APPROVED BY _____

PLEASE CHECK ONE

TITLE _____

RE-SUBMIT W/CHANGES

FIRM NAME _____

DATE _____

IMPORTANT INFORMATION

NOTE: DRAWINGS ARE NOT SCALE.

1. EQUIPMENT TO BE SUPPLIED WILL CONFORM TO THE DIMENSIONS SHOWN ON THE ATTACHED DRAWING(S).
2. STAINLESS STEEL TORX HEAD SCREWS FURNISHED FOR DOOR HARDWARE. STAINLESS STEEL TORX HEAD SCREWS FURNISHED FOR MOUNTING BRACKETS.
3. FOR ANY LOCATION WHICH MIGHT BE SUBJECT TO SPLASHING OF WATER FROM SHOWERS OR FROM HOSING DOWN FLOORS, SOLID PHENOLIC (1080/1081), SCRC (1090) MUST BE SPECIFIED (INCLUDING HIGH MOISTURE AREAS)
4. BOBRICK INSTRUCTIONS USED WITH THESE LAYOUTS
5. IT IS YOUR RESPONSIBILITY TO VERIFY YOU ARE IN COMPLIANCE WITH LOCAL AND FEDERAL A.D.A. GUIDELINESS



Technical Data

DuraLineSeries® Compact Grade Laminate Partition and Screens

1080 SERIES

SPECIFICATION

Height: 58" (1473mm) Doors and Panels with 12"(305mm) Floor Clearance

MATERIAL

Stiles* — 3/4" (19mm) thick, solidly fused compact grade laminate with matte-finish melamine surfaces, colored face sheets, and black phenolic-resin core that are integrally bonded. Edges are black.

Standard Size Stiles:

- For compartments — 3", 4", 5", 6", 7", 8", 10", 12", 16", 18", 20", or 24" (76, 102, 127, 152, 179, 203, 254, 305, 406, 457, 508, 610mm) wide.
- For screens — 6" (152mm) wide.
- Floor-anchored — 69" (1753mm) high.
- Overhead-braced — 83" (2108mm) high.
- Floor-to-ceiling anchored — Up to 120" (3048mm) ceiling height.
- Ceiling-hung — 83" (2108mm) high for 96" (2438mm) ceilings or as required up to 120" (3048mm) ceilings.

Panels — 1/2" (13mm) thick, solidly fused compact grade laminate with matte-finish melamine surfaces, colored face sheets, and black phenolic-resin core that are integrally bonded. Edges are black.

Standard Size Panels:

- For compartments — Up to 84" (2134mm) wide; 58"(1473mm) high.

Urinal Screens — 1/2" (13mm) thick, solidly fused compact grade laminate with matte-finish melamine surfaces, colored face sheets, and black phenolic-resin core that are integrally bonded. Edges are black.

Standard Size Urinal Screens:

- For wall-hung screens — Up to 24" (610mm) wide; 42" to 54" (1067 to 1372mm) high.
- For ceiling-hung, floor anchored and post-to-ceiling screens — Up to 60" (1524mm) wide; 58" (1473mm) high.

Doors — 3/4" (19mm) thick, solidly fused compact grade laminate with matte-finish melamine surfaces, colored face sheets, and black phenolic-resin core that are integrally bonded. Edges are black.

Standard Size Doors:

- Inswing and outswing doors are standard 22" to 37" (559 to 940mm) wide; 58" (1473mm) high.

Posts (for 1083 Series screens only) — 1 1/4" (32mm) square tubing; 18-8, Type-304, 18-gauge (1.2mm) stainless steel with satin finish. Floor and ceiling connections are constructed of 18-8, Type-304, heavy-gauge stainless steel. Furnished in 120" (3048mm) lengths; to be cut in field to job specifications.

Standard Size Post:

- For 1083 Series post-to-ceiling screens only. 1 1/4" (32mm) square. 120" (3048mm); cut to required height in field.

Headrail (for 1082 Series compartments only) — Extruded anodized aluminum. Enclosed construction with sloping top. Face has raised grip-resistant edge.

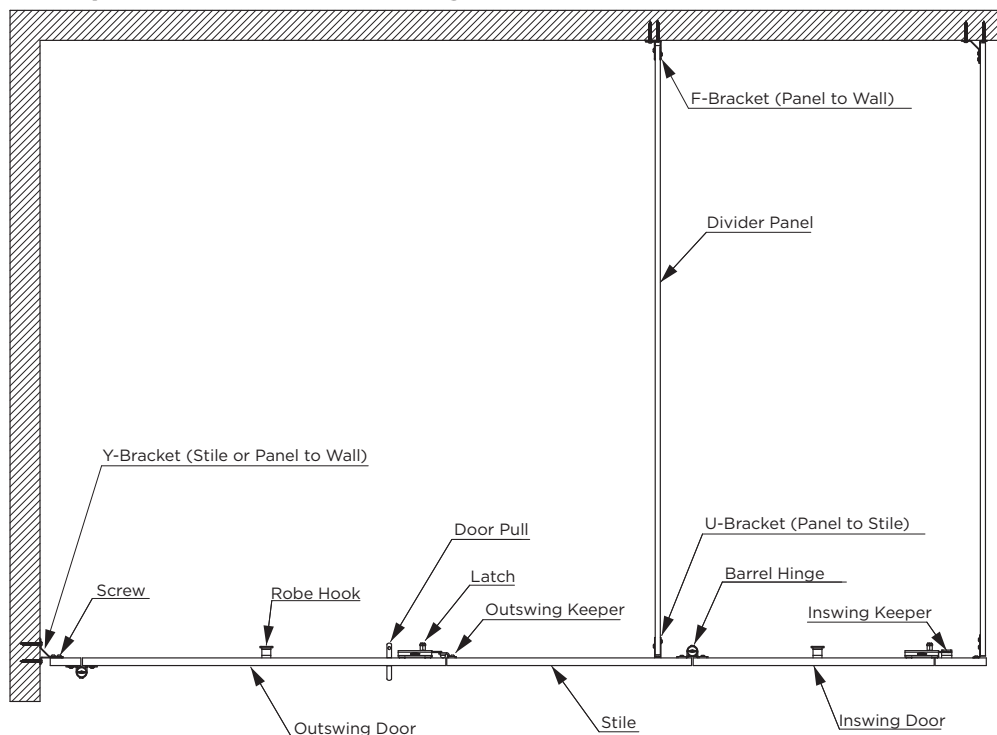
Designer's Notes:

- Headrails with integral curtain tracks and hooks are available for compartments without doors. Optional vinyl curtains are available.

Wall Posts — 1" by 1 1/2" (25 by 38mm) wide tubing; 18-8, Type-304, 16-gauge (1.6mm) stainless steel with satin-finish. 58" (1473mm) high, pre-drilled for door hardware.

Gapless Wall Posts — 2-3/4" by 1-15/16" (70 by 49mm) wide extrusion; Anodized aluminum finish. 58" (1473mm) high, pre-drilled mounting holes, hinge drilling to be done in the field (detailed instructions included with wall post packet). Gapless wall posts enable the attachment of a routed gapless door to eliminate sightlines.

Top View of 1082 (Barrel Hinge and Standard Bracket) Installation.

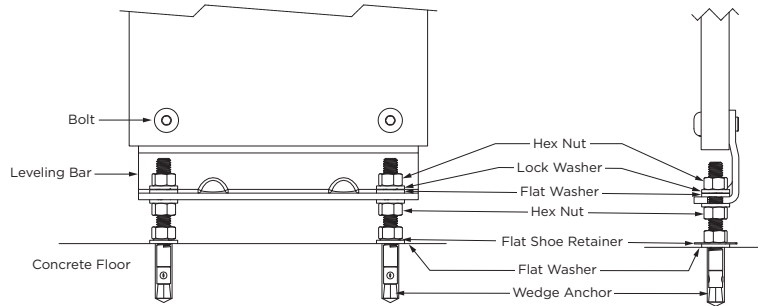


ANCHORING DEVICE:

Leveling Device — 3/16" (5mm) thick, corrosion-resistant, chromate-treated, double zinc-plated steel angle leveling bar bolted to stile; furnished with 3/8" (10mm) diameter threaded rods, hex nuts, lock washers, flat washers, spacer sleeves, expansion anchors, and shoe retainers.

Shoe — 18-8, Type-304, 22-gauge (0.8mm) stainless steel with satin finish; 4" (102mm) high. *Stiles for 1086 Series floor-to-ceiling anchored have a leveling device at each end.

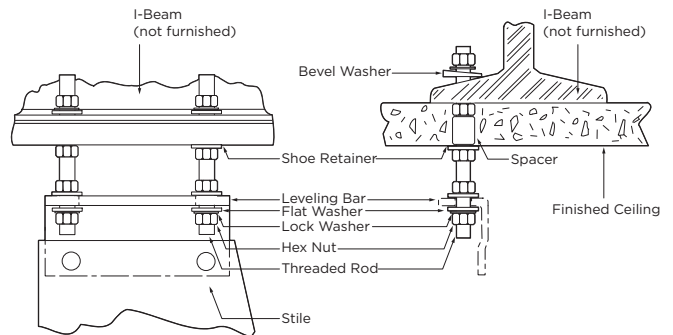
#1002701 Floor Anchor



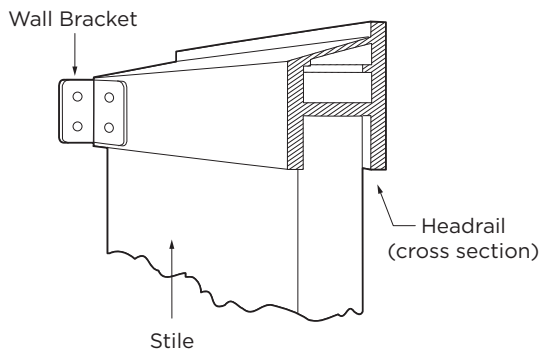
CEILING LEVELING DEVICE

Provisions must be in the construction of the building to support ceiling-hung toilet partitions. Structure in ceiling, not furnished by Bobrick, must support at least 275 lbs. per compact grade laminate toilet compartment, and must be sufficiently rigid to withstand swinging motion of toilet partition doors and impact of doors against stiles. Actual mounting system, including lateral bracing, if required, must be designed by the architect or structural engineer, and furnished by others. Wood beams are not recommended for ceiling hung application. **Note:** If adequate ceiling support cannot be provided, the floor-anchored or overhead-braced toilet compartments are recommended.

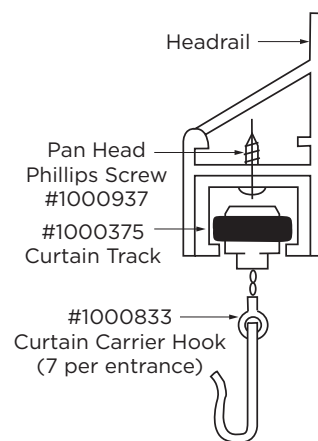
Approximate Weight: Compact Grade Laminate Toilet Compartment - 275 lbs.



HEADRAIL INSTALLATION DETAIL



CURTAIN TRACK INSTALLATION DETAIL



COMMERCIAL HARDWARE (STANDARD)

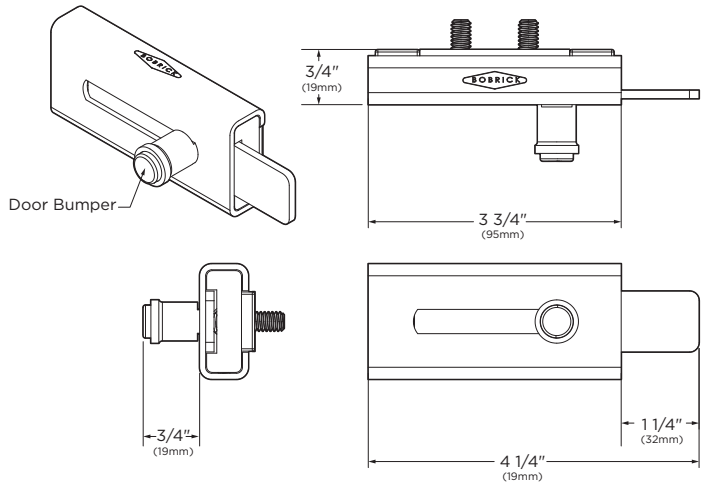
Hinges, door latch, door keepers, clothes hooks, mounting brackets and door handles are constructed of 18-8, Type-304, heavy-gauge stainless steel with satin finish.

Threaded inserts are factory installed for securing hinges and door latch. Theft-resistant, stainless steel pin-in-head, torx screws are furnished for door hardware and all mounting brackets.

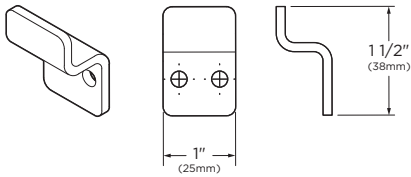
Balanced hinge is adjustable to hold door of unoccupied toilet compartment partially open or fully closed.

Toilet compartment door is locked from inside by sliding door latch into keeper. A locked compartment may be opened from outside by lifting door to disengage latch from keeper. Track of door latch prevents inswing door from swinging out beyond stile; on outswing door, the door keeper prevents it from swinging in beyond stile. Door handles and latch have operable parts that are operable with one hand and do not require tight grasping, pinching, or twisting of the wrist; and comply with ADA Sections 404.2.7 and 309.4. The force required to activate the operable parts shall be 5 pounds (22.2N) maximum. Black rubber bumper on the latch serves as door bumper for inswing door.

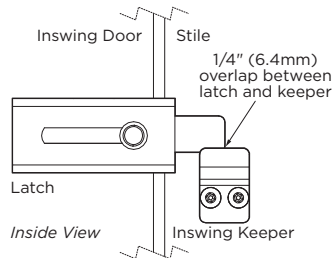
Latch Assembly



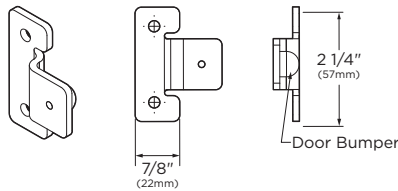
**#1040-114
Latch & Keeper Packet,
(Inswing Door)**



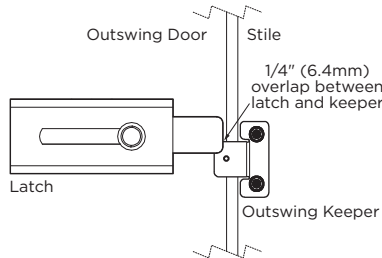
**#1040-35
Keeper, inswing
(Available as a Spare Part)**



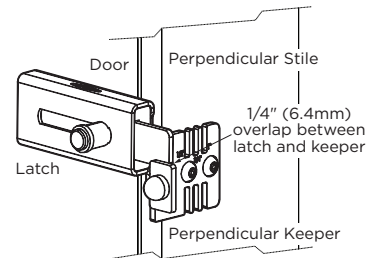
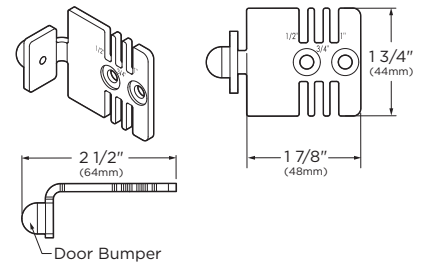
**#1040-115
Latch & Keeper Packet,
(Outswing Door)**



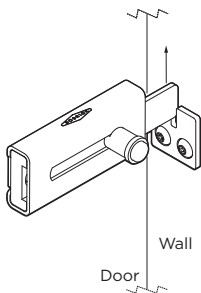
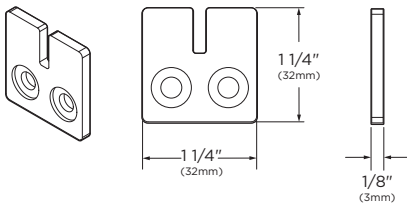
**#1040-36
Keeper, Outswing
(Available as a Spare Part)**



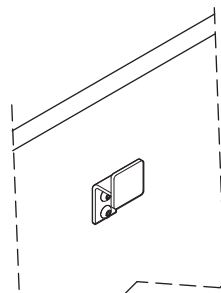
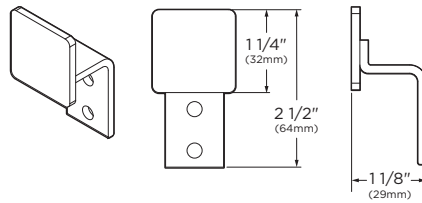
**#1040-39
Perpendicular
Keeper**



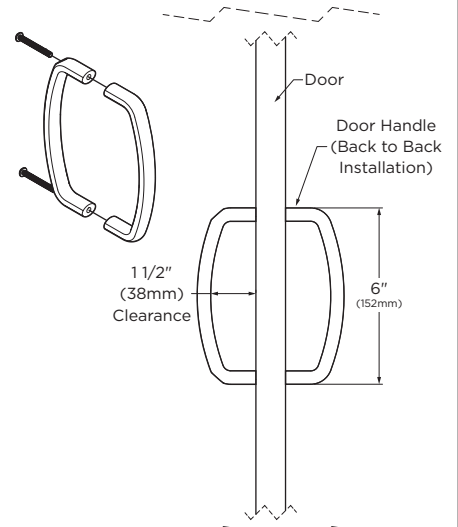
**#1040-56 Wall Mounted
keeper inswing**



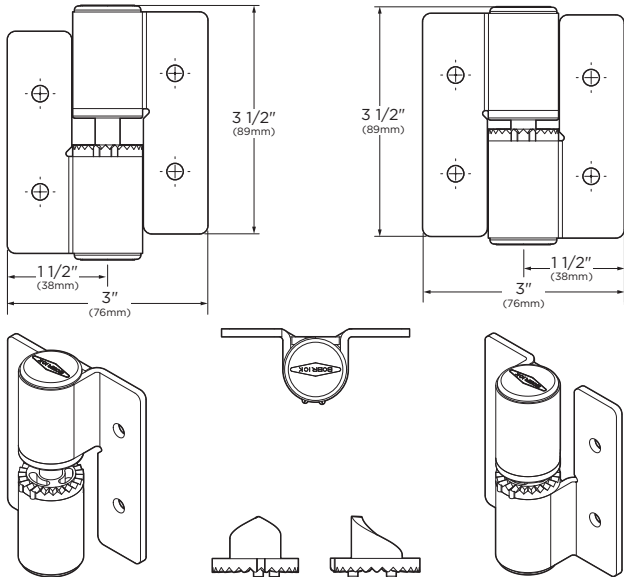
**#1000869
Coat Hook**



**#1000312
Door Pull Handle**



**#1040-230
L & J Hinge Set Packet
(Includes Hinge Cam)**



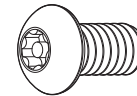
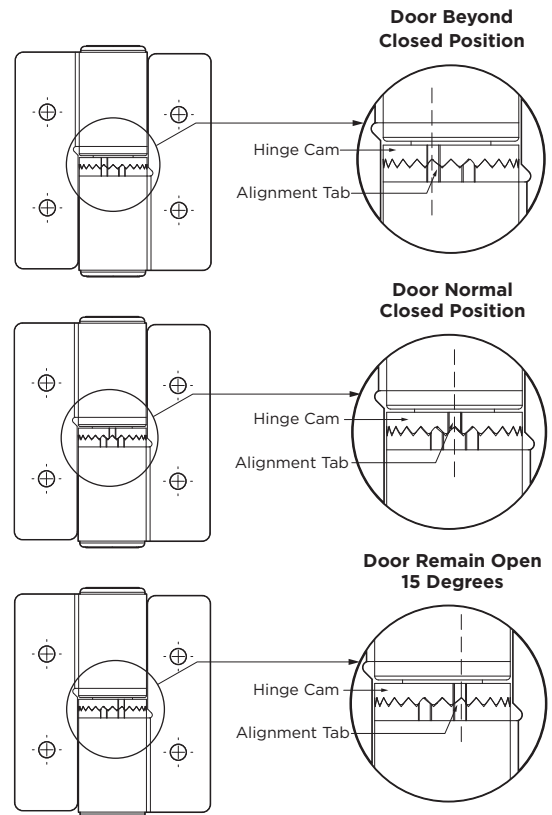
**#1002330
Barrel Hinge Set, L
(Includes Hinge Cam)**

**#1002156
Hinge Cam**

**#1002331
Barrel Hinge Set, J
(Includes Hinge Cam)**

Hinges are constructed of 18-8, Type-304, heavy-gauge stainless steel with satin finish. Threaded inserts are factory installed for securing hinges. Theft-resistant, stainless steel pin-in-head, torx screws are furnished for door hardware. Balanced hinge is adjustable to hold door of unoccupied toilet compartment partially open or fully closed.

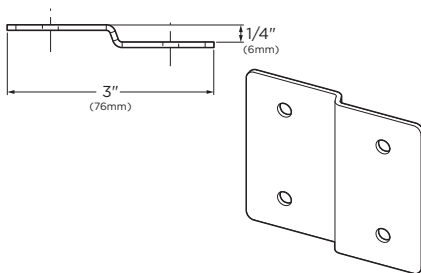
Cam Settings



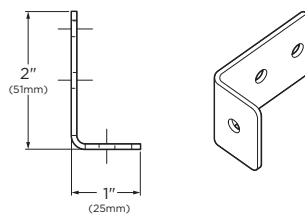
**#1002491
1/4-20 x 1/2" (M6-1 x13mm)
Pin-in-Head Torx Screw**

BRACKETS (STANDARD):

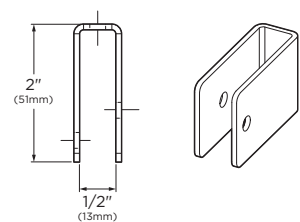
**#1000282
Alcove Bracket
(1/2" Panel to 3/4" Stile)**



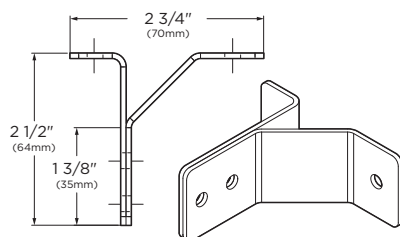
**#1000351
L-Bracket
(Panel to Corner Stile)**



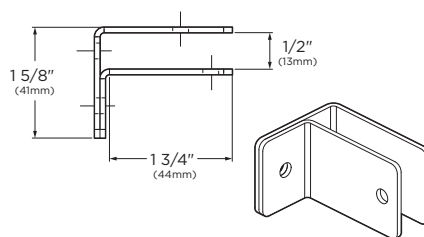
**#1000972
U-Bracket
(Panel to Perp. Stile)**



**#1000974
Y-Bracket
(Stile to Wall)**



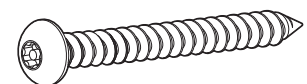
**#1000975
F-Bracket
(Panel to Wall)**



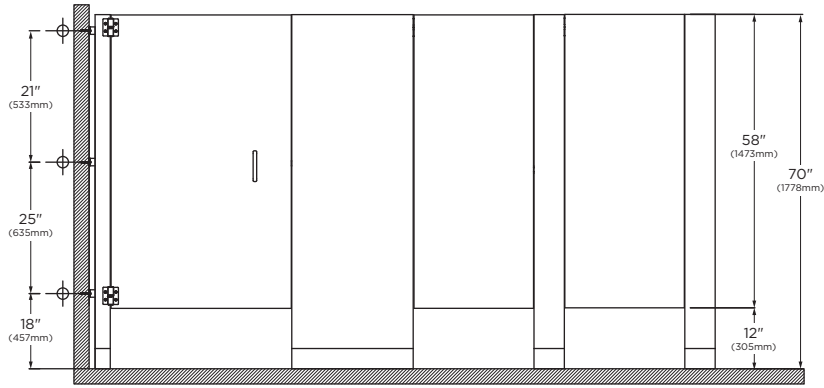
**#1002499
#12 x 7/16" Pin-in-Head Torx Screw
(M5.5 x 11mm)**



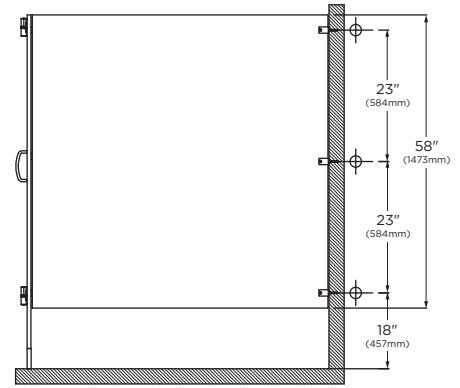
**#1002495
#12 x 2" Pin-in-Head Torx Screw
(M5.5 x 50mm) Wall Screw**



1081 SERIES FLOOR ANCHORED



Front View



Side View

STANDARD:

- #1081 - Barrel Hinge and Standard Bracket

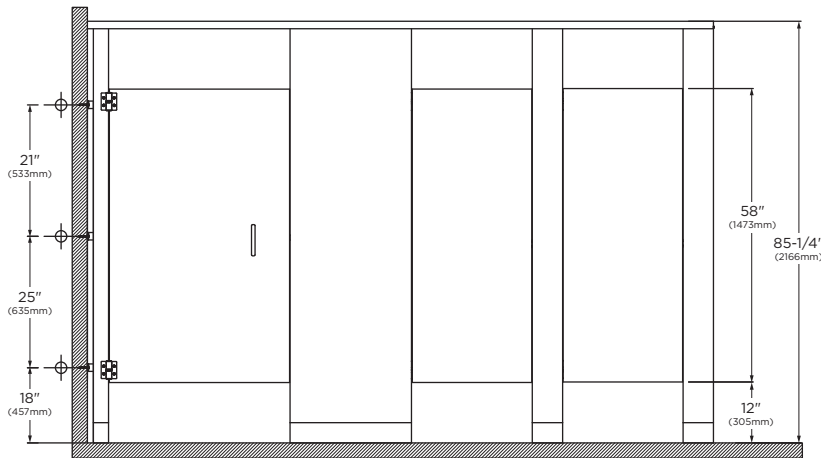
MODEL OPTIONS:

- #1081.67 - Continuous Hinge and Continuous Bracket
- #1081.67D - Continuous Hinge and Standard Bracket
- #1081.67DDS - Continuous Hinge, Standard Bracket and Door Stop
- #1081.67DS - Continuous Hinge, Continuous Bracket and Door Stop
- #1081.67P - Barrel Hinge and Continuous Bracket

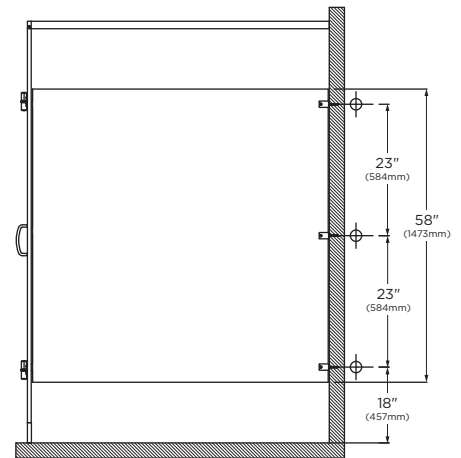
GAPLESS MODEL OPTIONS:

- #1081G - Gapless, Barrel Hinge and Standard Bracket
- #1081G.67 - Gapless, Continuous Hinge and Continuous Bracket
- #1081G.67D - Gapless, Continuous Hinge and Standard Bracket
- #1081G.67DDS - Gapless, Continuous Hinge, Standard Bracket and Door Stop
- #1081G.67DS - Gapless, Continuous Hinge, Continuous Bracket and Door Stop
- #1081G.67P - Gapless, Barrel Hinge and Continuous Bracket

1082 SERIES OVERHEAD-BRACED



Front View



Side View

STANDARD:

- #1082 - Barrel Hinge and Standard Bracket

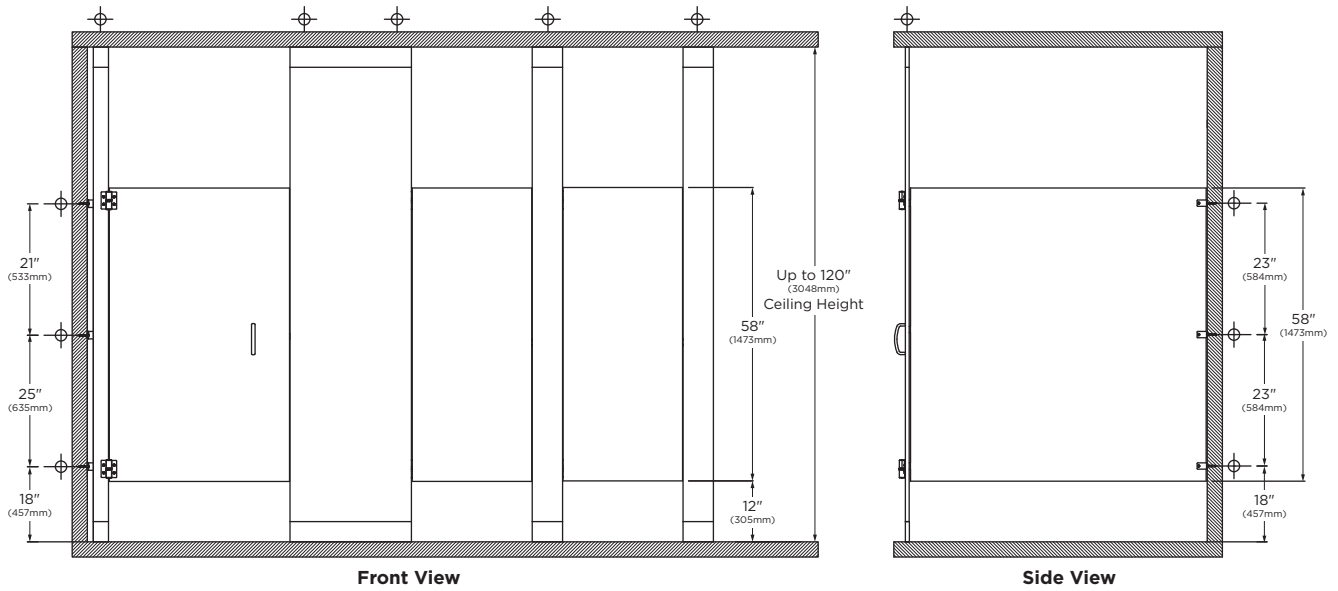
MODEL OPTIONS:

- #1082.67 - Continuous Hinge and Continuous Bracket
- #1082.67D - Continuous Hinge and Standard Bracket
- #1082.67DDS - Continuous Hinge, Standard Bracket and Door Stop
- #1082.67DS - Continuous Hinge, Continuous Bracket and Door Stop
- #1082.67P - Barrel Hinge and Continuous Bracket

GAPLESS MODEL OPTIONS:

- #1082G - Gapless, Barrel Hinge and Standard Bracket
- #1082G.67 - Gapless, Continuous Hinge and Continuous Bracket
- #1082G.67D - Gapless, Continuous Hinge and Standard Bracket
- #1082G.67DDS - Gapless, Continuous Hinge, Standard Bracket and Door Stop
- #1082G.67DS - Gapless, Continuous Hinge, Continuous Bracket and Door Stop
- #1082G.67P - Gapless, Barrel Hinge and Continuous Bracket

1086 SERIES FLOOR-TO-CEILING



STANDARD:

- #1086 - Barrel Hinge and Standard Bracket

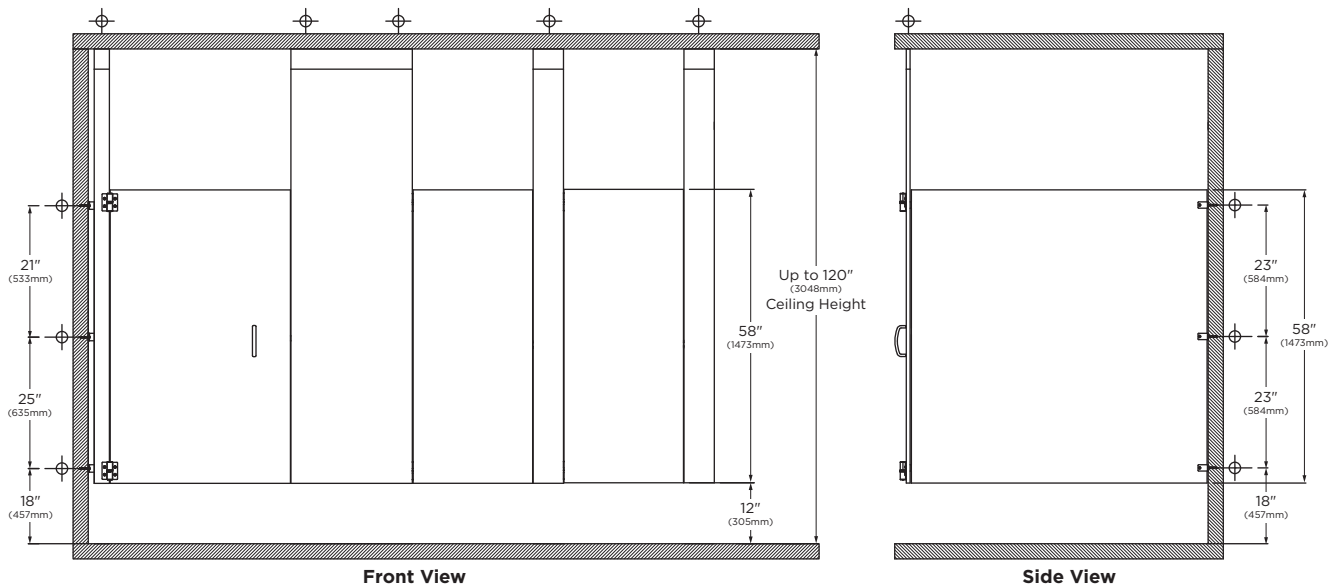
MODEL OPTIONS:

- #1086.67 - Continuous Hinge and Continuous Bracket
- #1086.67D - Continuous Hinge and Standard Bracket
- #1086.67DDS - Continuous Hinge, Standard Bracket and Door Stop
- #1086.67DS - Continuous Hinge, Continuous Bracket and Door Stop
- #1086.67P - Barrel Hinge and Continuous Bracket

GAPLESS MODEL OPTIONS:

- #1086G - Gapless, Barrel Hinge and Standard Bracket
- #1086G.67 - Gapless, Continuous Hinge and Continuous Bracket
- #1086G.67D - Gapless, Continuous Hinge and Standard Bracket
- #1086G.67DDS - Gapless, Continuous Hinge, Standard Bracket and Door Stop
- #1086G.67DS - Gapless, Continuous Hinge, Continuous Bracket and Door Stop
- #1086G.67P - Gapless, Barrel Hinge and Continuous Bracket

1088 SERIES CEILING HUNG



STANDARD:

- #1088 - Barrel Hinge and Standard Bracket

MODEL OPTIONS:

- #1088.67 - Continuous Hinge and Continuous Bracket
- #1088.67D - Continuous Hinge and Standard Bracket
- #1088.67DDS - Continuous Hinge, Standard Bracket and Door Stop
- #1088.67DS - Continuous Hinge, Continuous Bracket and Door Stop
- #1088.67P - Barrel Hinge and Continuous Bracket

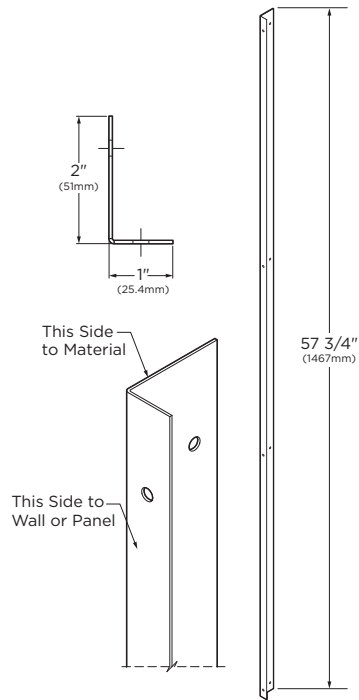
GAPLESS MODEL OPTIONS:

- #1088G - Gapless, Barrel Hinge and Standard Bracket
- #1088G.67 - Gapless, Continuous Hinge and Continuous Bracket
- #1088G.67D - Gapless, Continuous Hinge and Standard Bracket
- #1088G.67DDS - Gapless, Continuous Hinge, Standard Bracket and Door Stop
- #1088G.67DS - Gapless, Continuous Hinge, Continuous Bracket and Door Stop
- #1088G.67P - Gapless, Barrel Hinge and Continuous Bracket

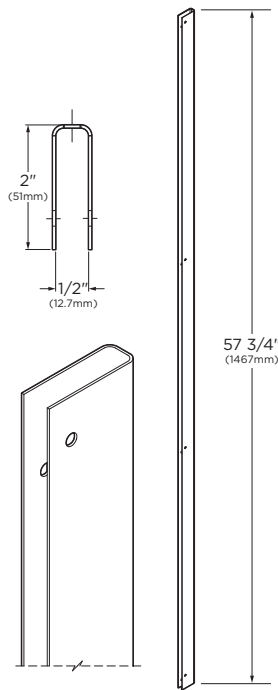
CONTINUOUS .67 BRACKET (OPTION):

Mounting brackets are constructed of 18-8, Type-304, heavy-gauge stainless steel with satin finish: one-piece, full-height U-channels and angle brackets are 18 gauge (1.2mm). U-channels secure panels to stiles, and angle brackets secure panels and stiles to walls. Theft-resistant, stainless steel pin-in-head, torx screws are furnished for U-channels, Z-bracket and angle brackets.

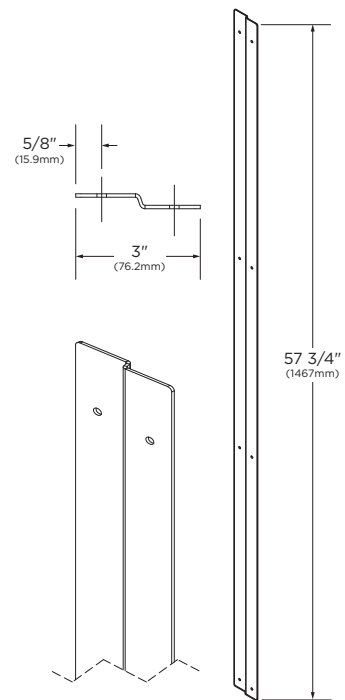
#1001371 Angle Bracket



#1001368 U-Channel



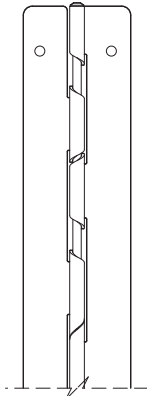
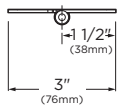
#1080-76 Z-Bracket



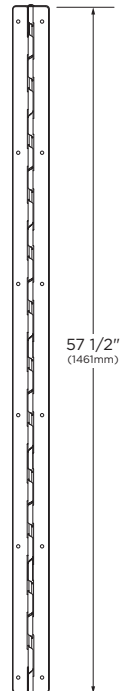
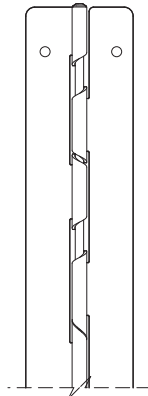
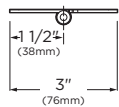
CONTINUOUS .67 HINGES (OPTION):

Hinges are constructed of 18-8, Type-304, heavy-gauge stainless steel with satin finish: one-piece, full-height hinge is 16 gauge (1.6mm); Theft-resistant, stainless steel pin-in-head, torx screws are furnished for door hardware. Doors are equipped with a gravity type self-closing hinge. Threaded inserts are factory installed to secure door hinge. **The continuous hinge (.67 option) depends on the weight of the door to return the hinge to its closed position, which may result in door slamming.**

**#1002920
Left-Hand Inswing or
Right-Hand Outswing**



**#1002921
Right-Hand Inswing
or Left-Hand Outswing**



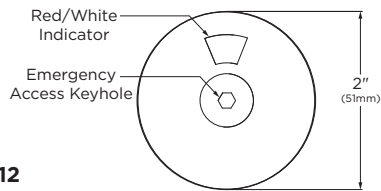
HINGE CAM MAINTENANCE:

Cleaning and lubricating hinge is required to avoid failure of hinge mechanism. Must use a Teflon type based lubricant such as Tri-Flow Superior Lubricant with P.T.F.E. It is not recommended to use machine oil or WD-40 which will collect dust and dirt.



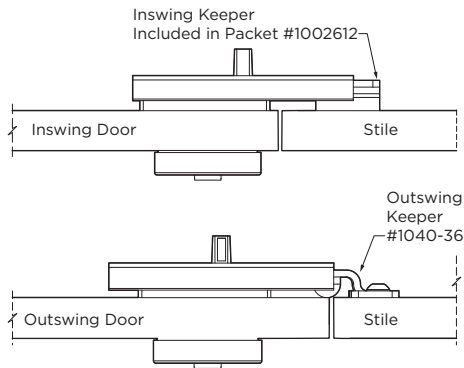
**#1002491
1/4-20 x 1/2" (M6-1 x13mm)
Pin-in-Head Torx Screw**

OCCUPANCY INDICATOR LATCH (OPTION):

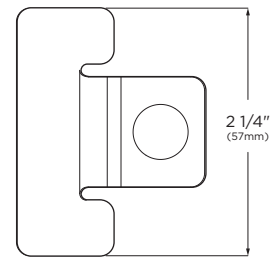
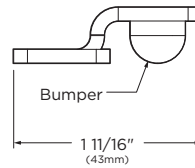


#1002612
Occupancy Indicator
Latch Packet

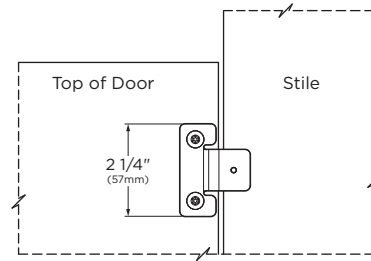
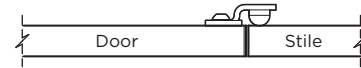
Emergency Access - The latch allows the door to be opened from the exterior of the toilet compartment by inserting a 3mm Allen key into the keyhole in the center of the cover plate and turning the key to release the latch.



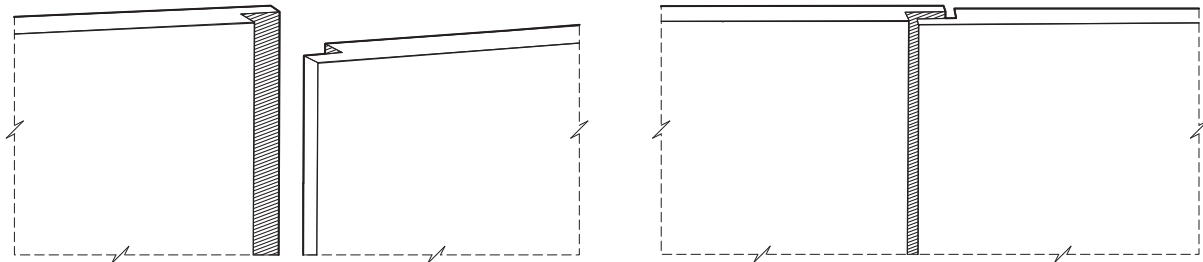
DOOR STOP (OPTION):



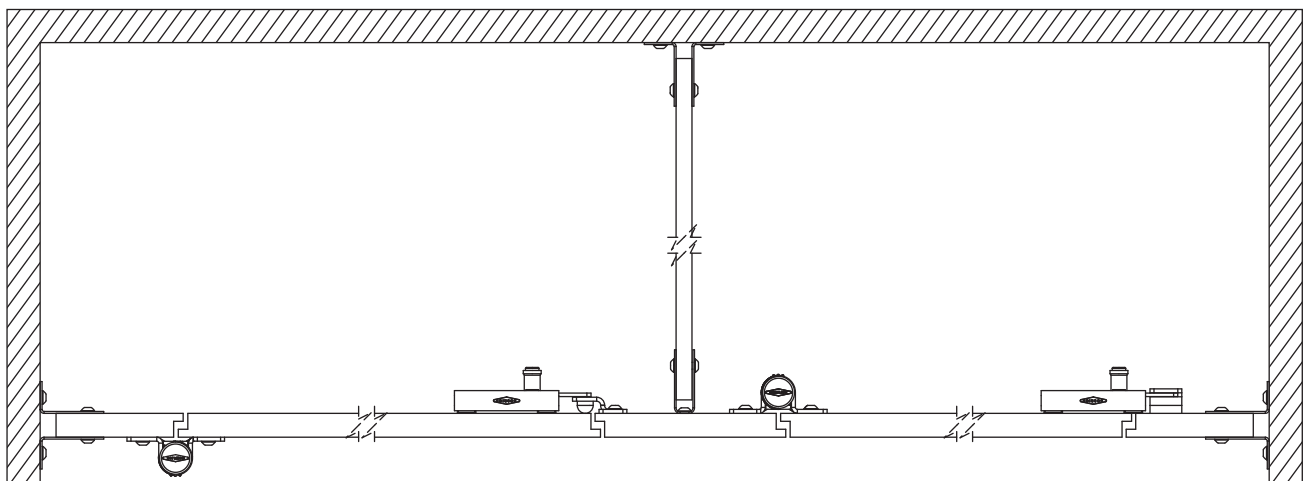
#1040-110
Door Stop Packet



GAP FREE DOORS & STILES (OPTION):

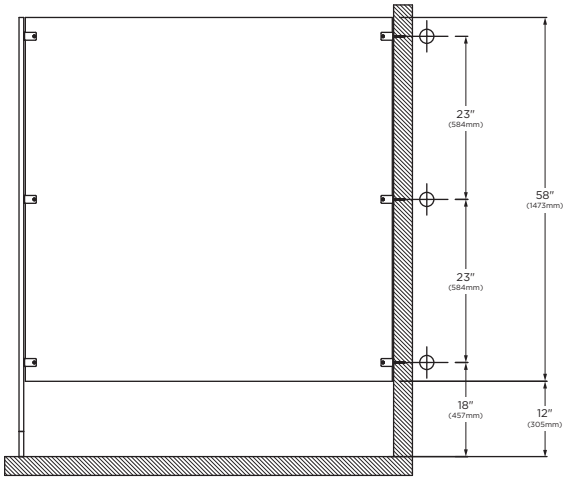


Features: Interlocking, sightline-free design (Gapless).



1080 URINAL SCREENS:

**#1002956
W/H Urinal Screen Bracket**



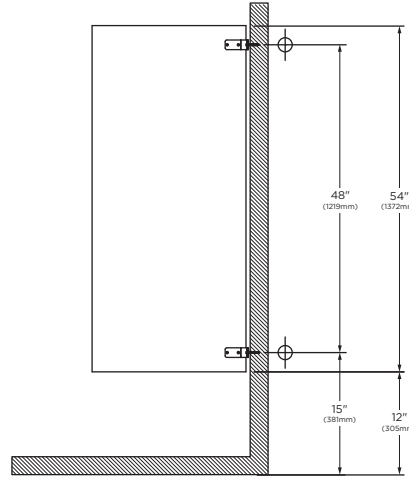
Floor Anchored Urinal Screen

STANDARD:

- #1081 - Standard Bracket

MODEL OPTIONS:

- #1081.67 - Continuous Bracket



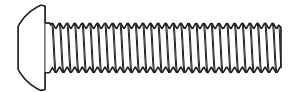
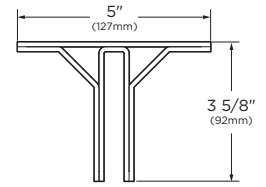
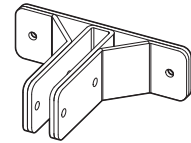
Wall Mounted Urinal Screen
Up to 54" (1372mm) high.

STANDARD:

- #1085 - Standard Bracket

MODEL OPTIONS:

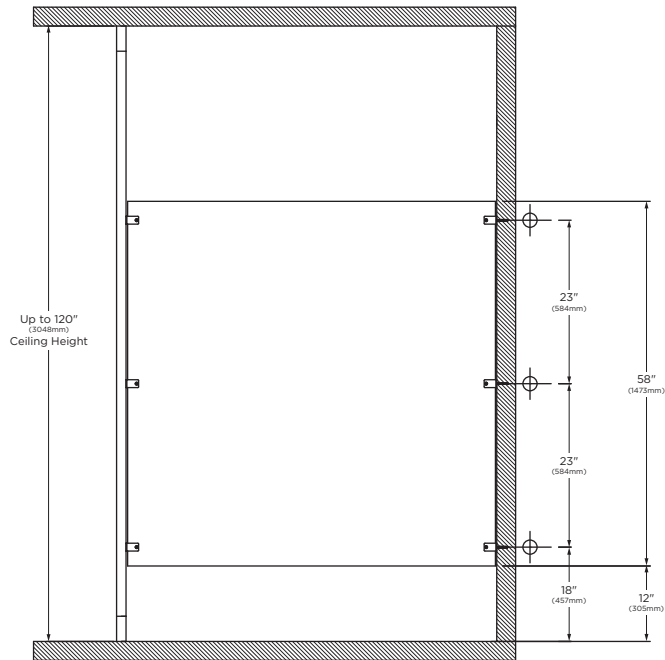
- #1085.67 - Continuous Bracket



**#1002966
#10-32 x 1-1/4" (38mm)
Pin-in-Head
Torx Screw**



**#1000133
Acorn Nut #10-32
Through-Bolt
Urinal Screen**



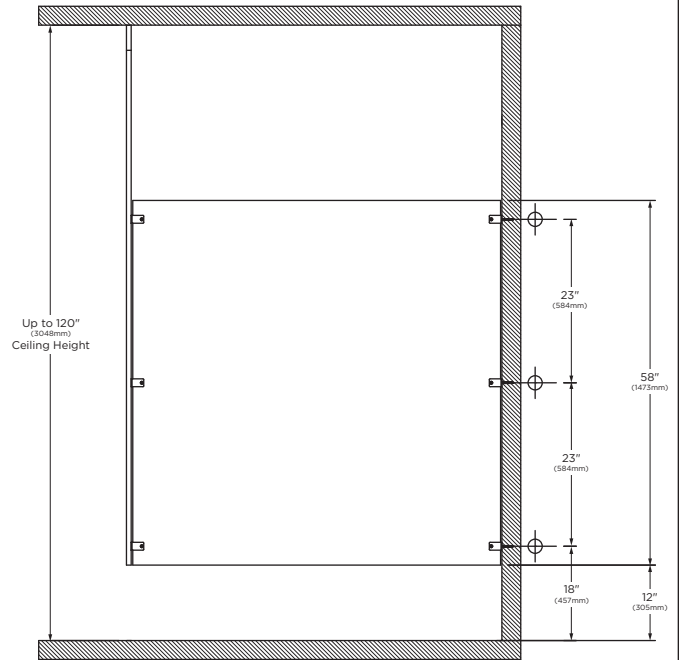
Post-to-Ceiling Urinal Screen

STANDARD:

- #1083 - Standard Bracket

MODEL OPTIONS:

- #1083.67 - Continuous Bracket



Ceiling-Hung Urinal Screen

STANDARD:

- #1088 - Standard Bracket

MODEL OPTIONS:

- #1088.67 - Continuous Bracket

INSTALLATION:

Refer to Bobrick installation instructions packed with each shipment. Also available on bobrick.com. Form No. 1080-69.

NOTES:

1. Ceiling-hung and floor-to-ceiling toilet compartments require structural members (not furnished by Bobrick) in ceiling. For suggested types of ceiling support systems, see Bobrick Advisory Bulletin TB-32.
2. Wall backing is required to secure the mounting brackets of panels, stiles, and wall posts. For suggested wall backing, see Bobrick Advisory Bulletin TB-46.
3. Floor-anchored stiles are furnished with expansion shields and threaded rods. The expansion shields require minimum 2" (50mm) penetration into minimum 3" (75mm) thick structural concrete.
4. Bobrick stainless steel partition-mounted washroom accessories are available for mounting in panels between two compartments. See current Bobrick Catalog for description of accessories. Cutouts in panels can be pre-cut for Bobrick models at factory if location and size of all cutouts and Bobrick model numbers are furnished at time of order.
5. When the hinge cam has been set at the desired free resting position, "either closed or open" the top of the affixed components will be aligned.

GUARANTEE:

Bobrick toilet partitions including all hardware and mounting brackets are guaranteed to be free from defects in material and workmanship for a period of one year from date of purchase. Any products returned to Bobrick under this guarantee will be repaired or replaced at no charge. **25-Year Warranty:** Bobrick extends a twenty-five-year limited warranty from date of purchase for DuraLineSeries Compact Grade Laminate partition panels, doors, and stiles against breakage, corrosion, delamination, and defects in factory workmanship when materials are properly installed, then used and serviced normally.

SPECIFICATION:

Compact Grade Laminate (Solid Phenolic) _____ (insert one: toilet partitions, dressing compartments, shower dividers, urinal screens, entrance screens) shall be _____ (insert one: floor-anchored, overhead-braced, floor-to-ceiling anchored, ceiling-hung, wall-hung, post-to-ceiling). Stiles, panels and doors shall be constructed of solidly fused Compact Grade Laminate with matte-finish melamine surfaces, colored face sheets, and black phenolic-resin core that are integrally bonded; and covered by a 25-year limited warranty against breakage, corrosion, and delamination. Stiles and doors shall be 3/4" (19mm) thick; panels shall be 1/2" (13mm) thick. All units shall meet ICC, NFPA Class B, ASTM E-84 Interior Wall and Ceiling Finish Classification. Stiles shall have leveling device that is concealed by a one-piece, type-304, satin-finish stainless steel shoe that is 4" (102mm) high. Stiles, panels and doors shall be _____ (insert color name and number from current Bobrick Catalog). Headrails for overhead-braced compartments shall be anodized aluminum with satin finish. ****All door hardware and mounting brackets shall be Type-304 stainless steel. No door hardware or mounting brackets shall be exposed on exterior of compartments, except on outswing doors. All doors shall be supplied with two hinges. Threaded inserts shall be factory installed for securing hinges and door latch. Theft-resistant, stainless steel pin-in-head, torx screws shall be furnished for door hardware and all mounting brackets. A clothes hook shall be furnished for each door. Hinges shall be adjustable to hold doors of unoccupied compartments partially open or fully closed, and shall allow a locked compartment to be opened from outside by lifting door to disengage latch from keeper.**

*To specify Gapless door and stile option, add suffix "G" to series number. Example: specify 1082G.

**To specify Continuous hardware, replace end of specification paragraph with: .67 option. All door hardware, U-channels, and angle brackets shall be Type-304 stainless steel with satin finish: one-piece, full-height hinges shall be 16 gauge (1.6mm); one-piece, full-height U-channels and angle brackets shall be 18 gauge (1.2mm). U-channel shall be furnished to secure panels to stiles, and angle brackets furnished to secure panels and stiles to walls. Theft-resistant, stainless steel pin-in-head, torx screws shall be furnished for door hardware, U-channels, and angle brackets. A clothes hook shall be furnished for each door. Hinges shall allow locked compartment to be opened in emergency from outside by lifting door to disengage latch from keeper. Doors shall be equipped with a self-closing hinge. Threaded inserts shall be factory installed to secure all door hinges and latch.

***Addendum: Units fabricated with FunderMax or Abet Laminati Compact Grade Laminate will meet ICC, NFPA Class A, ASTM E-84 Interior Wall and Ceiling Finish Classification.

_____ (insert one: Toilet Partitions, Dressing Compartments, Shower Dividers, Urinal Screens, Entrance Screens) shall be _____ Series (insert series number) of Bobrick Washroom Equipment, Inc., Clifton Park, New York; Jackson, Tennessee; Los Angeles, California; Bobrick Washroom Equipment Company, Scarborough, Ontario; Bobrick Washroom Equipment Pty. Ltd., Australia; and Bobrick Washroom Equipment Limited, United Kingdom.



DURALINE

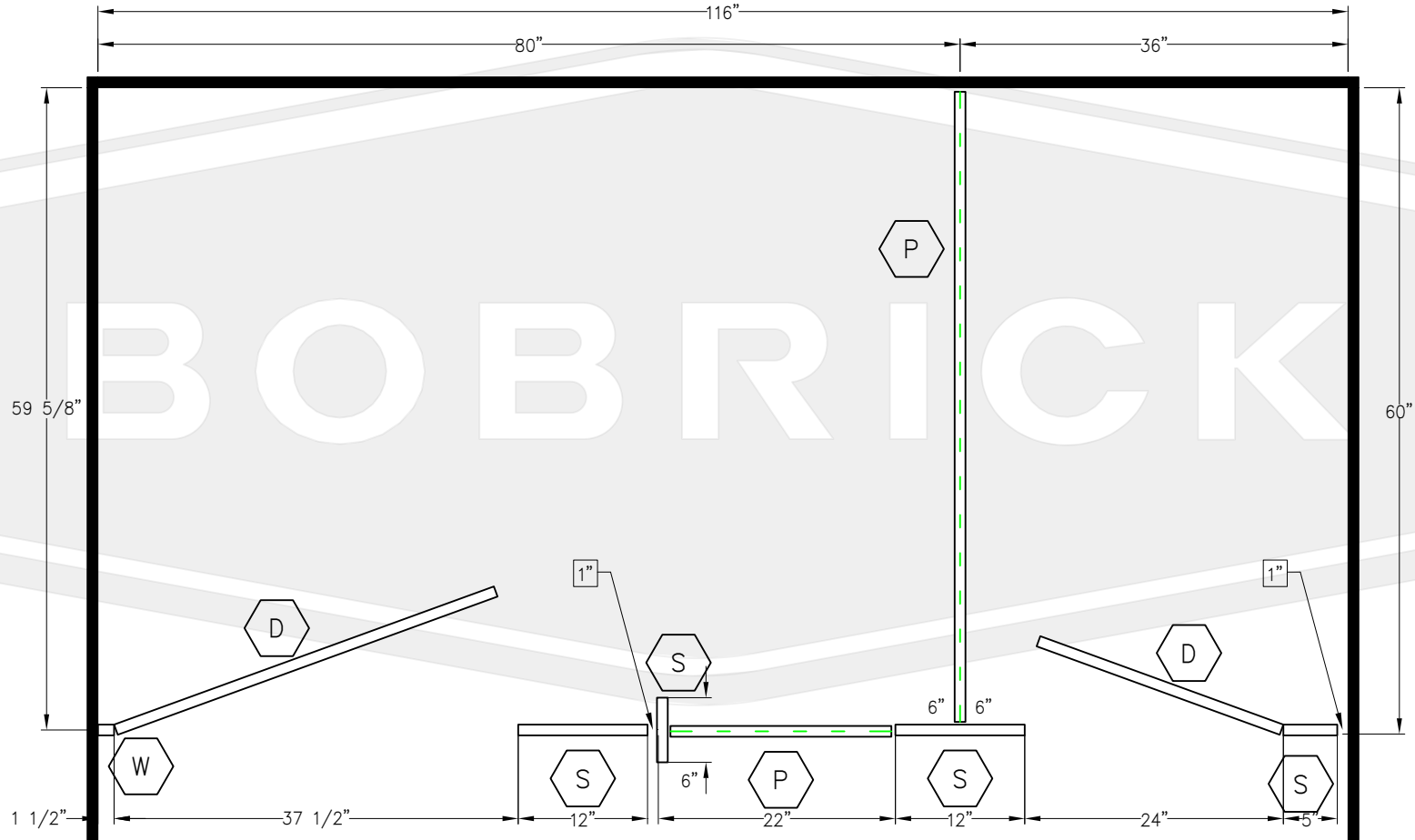
Series: 1081.67DS Type: Floor Anchored

Layout: Left Side Alcove Recessed In/Perp 2 stalls

| | | | | | |
|----------|----------------------|--------------|-------------------------|--------------------------------|--------|
| HEIGHT | COLOR SELECTION | DISTRIBUTOR | 35205-FRY SPECIALTY INC | Note: Dimensions are in inches | |
| PANEL 58 | 5882-58-Citadel Warp | QUOTE#/S.O.# | 9890323-1 | | |
| STILE 69 | 5882-58-Citadel Warp | P.O.# | | JOB NAME | 902812 |
| DOOR 58 | 5882-58-Citadel Warp | DATE | 6/19/2026 | ROOM | Mens |

Toilet partition and urinal screen layout drawings are the sole, confidential and proprietary property of Bobrick Washroom Equipment, Inc. The layout drawings are custom designed and prepared exclusively for the quotation and manufacture of Bobrick toilet partitions and urinal screens for the distributor and job name stated on the layout. Reproduction or distribution of the layout drawings to other toilet partition manufacturers or other persons without the prior written permission of Bobrick Washroom Equipment is strictly prohibited.

FLOOR CLEARANCE 12



MAKE 1 UNITS THUS

EACH DRAWING MUST BE SIGNED APPROVED BEFORE FABRICATION CAN BEGIN. FABRICATION WILL BE FROM FINAL APPROVED DRAWINGS ONLY. PLEASE REVIEW CAREFULLY BEFORE SIGNING APPROVED.

1. O.A.=OVERALL GAP, 1/2" FROM WALL TO PANEL PLUS 1/4" PANEL TO STILE

NOTES FOR INSTALLER: UNLESS OTHERWISE SPECIFIED

S STILE W WALLPOST D DOOR P PANEL H HEADRAIL

APPROVED _____



DURALINE

Series: 1081.67DS Type: Floor Anchored

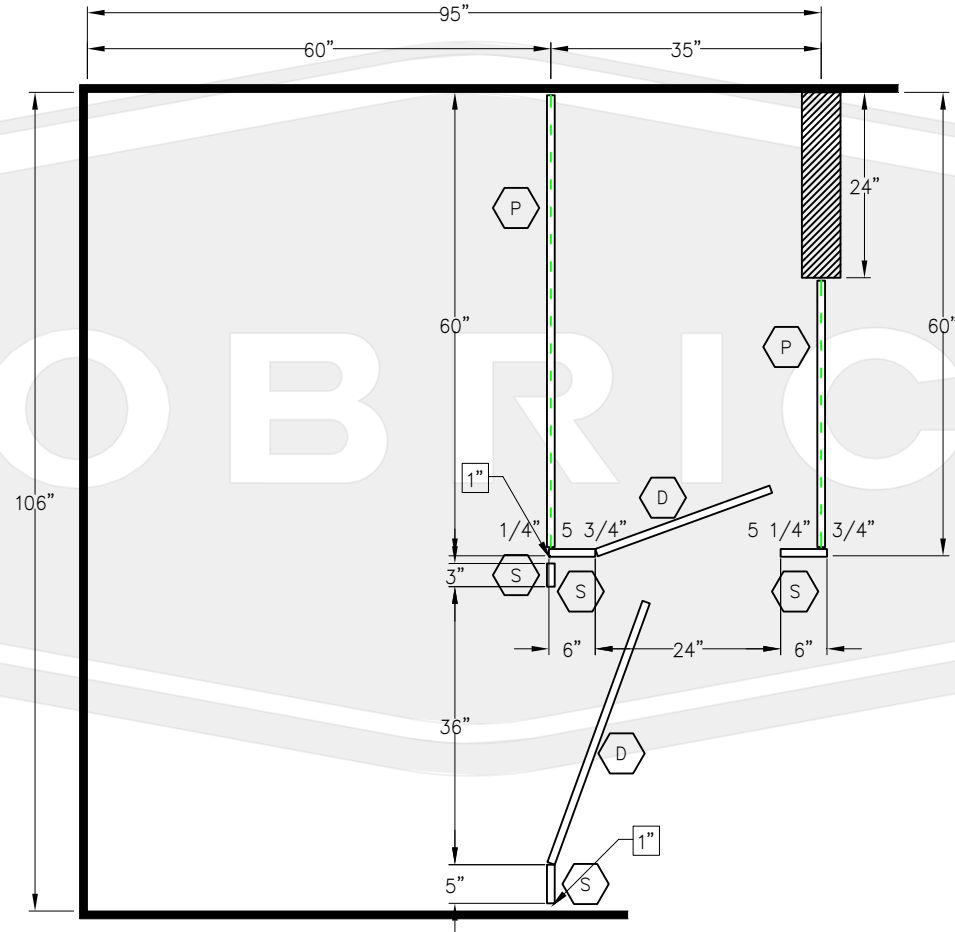
Layout: Left Alcove Corner Inl/Perp 2 stalls

2 of 2

| | | | | |
|----------|----------------------|--------------|-------------------------|--------------------------------|
| HEIGHT | COLOR SELECTION | DISTRIBUTOR | 35205-FRY SPECIALTY INC | Note: Dimensions are in inches |
| PANEL 58 | 5882-58-Citadel Warp | QUOTE#/S.O.# | 9890323-1 | |
| STILE 69 | 5882-58-Citadel Warp | P.O.# | | JOB NAME 902812 |
| DOOR 58 | 5882-58-Citadel Warp | DATE | 6/19/2026 | ROOM Womens |

Toilet partition and urinal screen layout drawings are the sole, confidential and proprietary property of Bobrick Washroom Equipment, Inc. The layout drawings are custom designed and prepared exclusively for the quotation and manufacture of Bobrick toilet partitions and urinal screens for the distributor and job name stated on the layout. Reproduction or distribution of the layout drawings to other toilet partition manufacturers or other persons without the prior written permission of Bobrick Washroom Equipment is strictly prohibited.

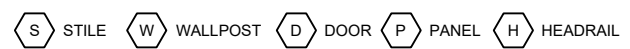
FLOOR CLEARANCE 12



MAKE 1 UNITS THUS

EACH DRAWING MUST BE SIGNED APPROVED BEFORE FABRICATION CAN BEGIN. FABRICATION WILL BE FROM FINAL APPROVED DRAWINGS ONLY. PLEASE REVIEW CAREFULLY BEFORE SIGNING APPROVED.

1. O.A.=OVERALL GAP, 1/2" FROM WALL TO PANEL PLUS 1/4" PANEL TO STILE
 NOTES FOR INSTALLER: UNLESS OTHERWISE SPECIFIED



APPROVED _____