



# AMERICAN SPECIALTIES, INC.

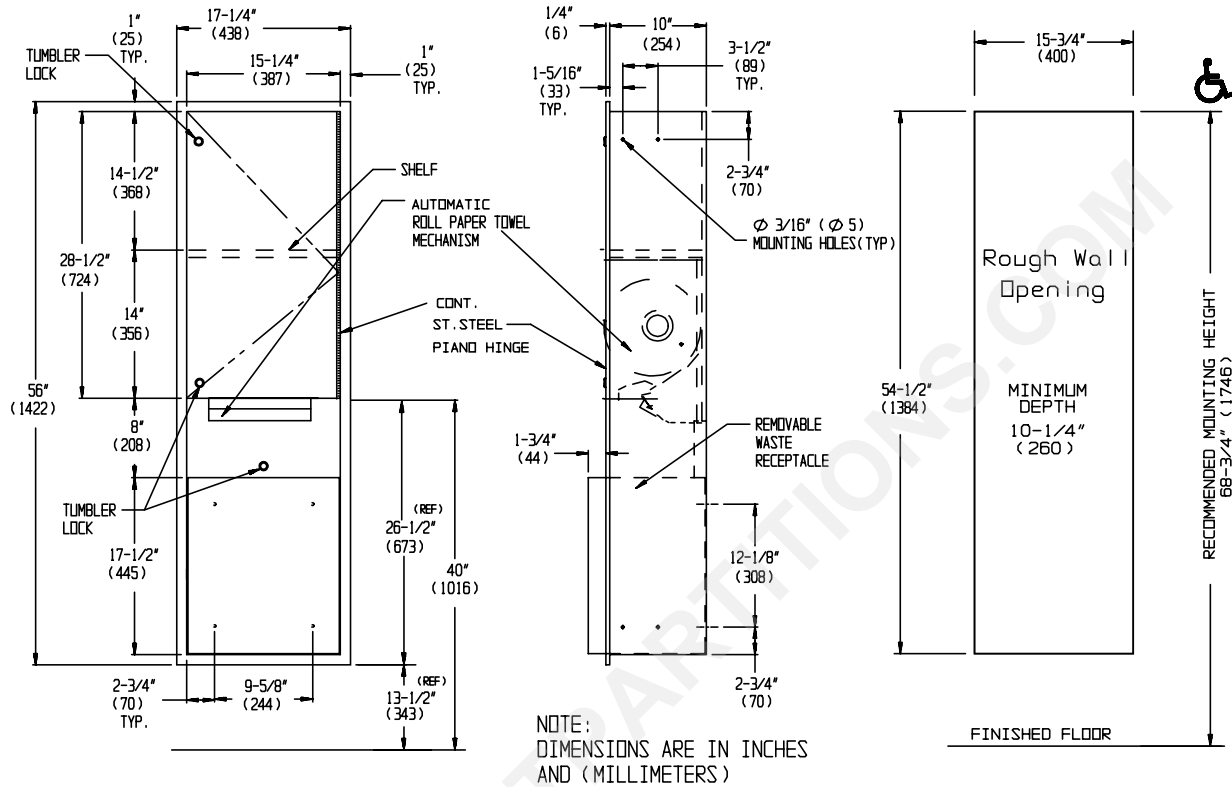
441 Saw Mill River Road, Yonkers, NY 10701 (914) 476-9000  
www.americanspecialties.com

MODEL No: 046921A

ISSUED: 2-07

REVISED: 3-07

## RECESSED AUTOMATIC ROLL PAPER TOWEL DISPENSER AND WASTE RECEPACLE



### SPECIFICATION

Recessed Automatic Roll Paper Towel Dispenser and Waste Receptacle for ADAAG Compliance shall hold and dispense one 8" wide x 8" diameter (203 x Ø203) standard towel roll up to 800 ft. (244m) long and one 8" wide (203) stub roll up to 4" diameter (Ø102) and shall have a waste capacity of 12 gallons (45.4 liters). Dispenser shall be powered by four (4) D-size batteries (not supplied) and shall operate automatically to activate towel dispensing when hands are placed in sensor zone. Unit shall feed out a 12" (305) length of towel during each activation and shall have an internal tear-off bar for towel pull out. Cabinet, waste container and frame shall be fabricated of 22 gauge stainless steel, alloy 18-8, type 304, and towel dispenser door shall be 18 gauge same grade. All exposed surfaces shall have N<sup>o</sup> 4 satin finish protected by PVC plastic film easily removed after installation. Door shall be attached to cabinet at side with a full-length 3/16" diameter (Ø4.8) stainless steel multi-staked piano hinge and shall be held closed with tumbler locks keyed alike to other ASI washroom equipment. Waste container shall have hemmed edges for safety and shall be retained by a tumbler lock keyed alike. Face trim shall be 1" (25.4) wide formed from one piece with no miters, welding or open seams and have 1/4" (6.4) square return to wall. Structural assembly of all components shall be of welded construction. Cabinet shall have no exposed fastening devices or spot-welded seams.

**Recess Mounted Automatic Roll Paper Towel Dispenser and Waste Receptacle for ADAAG Compliance shall be Model N<sup>o</sup> 046921A as manufactured by American Specialties, Inc., 441 Saw Mill River Road, Yonkers, New York 10701-4913**

### INSTALLATION

Unit is mounted in wall recess using N<sup>o</sup> 10 self-tapping screws (by others) through concealed mounting holes provided. Note that top of RWO is 3/4" (19) below top of unit. For compliance with ADA Accessibility Guidelines install unit so that bottom edge of towel dispenser door is 48" (1219) maximum above finished floor (MAX AFF).

**Rough Wall Opening (RWO) required is 15-3/4" W x 54-1/2" H x 10-1/4" D min. (400 x 1384 x 260)**

### OPERATION

Towels are dispensed one at a time automatically when hands are placed in sensor zone until supply is depleted. Unit may be reloaded with a full roll to automatically start when finished with an existing partial roll. Locking door and waste container prevents unauthorized access and removal. Waste container is emptied manually on cycle determined by maintenance needs.

Accessory Specialties

AMERICAN DISPENSER

Desert Ray Products

WATROUS INC.