



# AMERICAN SPECIALTIES, INC.

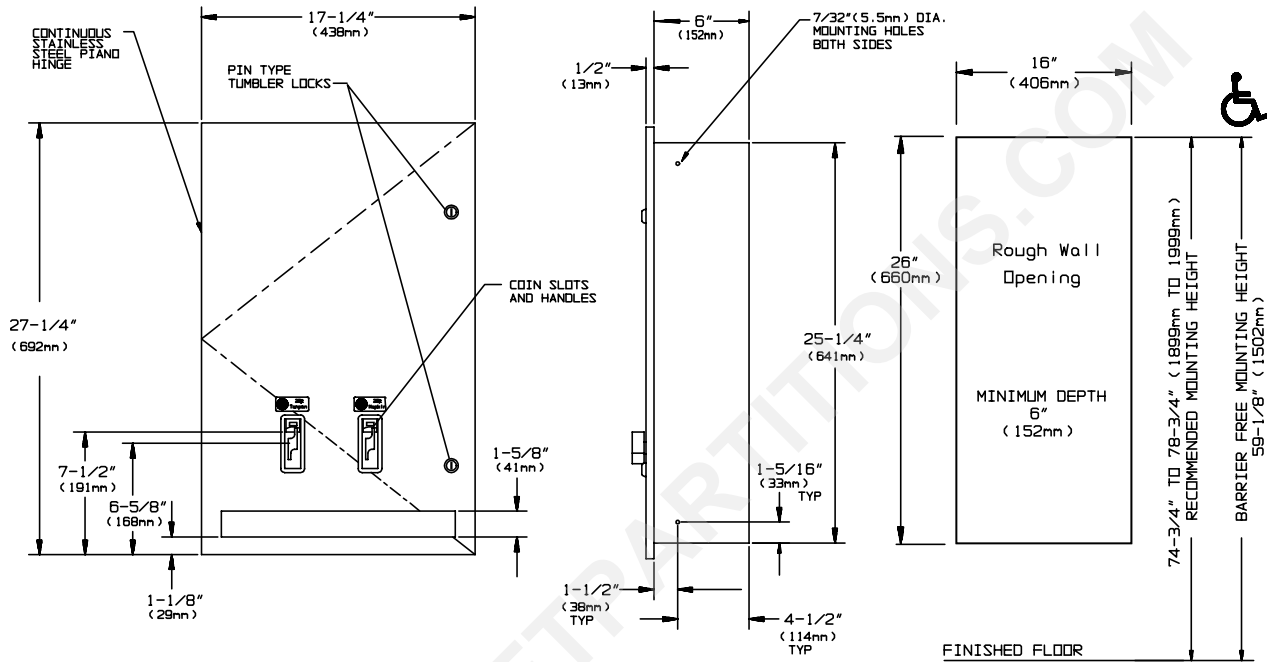
441 Saw Mill River Road, Yonkers, NY 10701 (914) 476-9000

MODEL No: 0468

ISSUED: 1-87

REVISED: 9-04

## RECESSED DUAL SANITARY NAPKIN AND TAMPON DISPENSER (PAGE 1 OF 2)



### SPECIFICATION

Sanitary Napkin / Tampon vendor shall dispense 30 napkins and 27 tampons of specified sizes and shall have cabinet fabricated of alloy 18-8 stainless steel, type 304, 18 gauge; all exposed surfaces shall have N° 4 satin finish and be protected during shipment with a PVC film easily removable after installation. Door shall be fabricated of 18 gauge same grade stainless steel and shall be attached to cabinet with a full length 3/16" dia. (5mm) stainless steel multi-staked piano hinge and shall be held closed with two (2) tumbler locks keyed alike to other ASI washroom equipment. Internal coin-box shall be keyed differently than door locks. Dispensing mechanisms shall be fastener mounted internally to provide ability to change mechanisms for coinage denomination. Structural assembly of body and door components shall be of welded construction and have no exposed fasteners or welded seams. Weights for each feed track shall be supplied. Factory installed coin operation denomination shall be \_\_\_\_\_ (please fill in 25¢ or 50¢ or FREE ) and add denomination as suffix to model N° (ie: 0468-25).

Recessed Dual Sanitary Napkin / Tampon Vendor shall be Model N°0468-xx as manufactured by American Specialties, Inc., 441 Saw Mill River Road, Yonkers, New York 10701-4913

### INSTALLATION

Unit is mounted in wall recess using N°10 self-tapping screws (by others). Note that coin slot is 6-7/8" (175mm) above bottom edge of rough wall opening.

**Rough Wall Opening required is..... 16"W x 26"H x 6"D minimum (406mm x 660mm x 152mm).**

Accessory Specialties

AMERICAN DISPENSER

Desert Ray Products

WATROUS INC.



# AMERICAN SPECIALTIES, INC.

441 Saw Mill River Road, Yonkers, NY 10701 (914) 476-9000

MODEL No: 0468

ISSUED: 1-87

REVISED: 9-04

## RECESSED DUAL SANITARY NAPKIN AND TAMPON DISPENSER (PAGE 2 OF 2)

### OPERATION

Deposit of specified coin allows operation of dispenser. Napkin and tampon dispensers operate independently. Selected product drops into vending opening after operator actuation. Indicator displays empty condition and blocks coin slot when product is depleted. Unit vend product supply is replenished on cycle determined by maintenance needs by opening door and manually reloading product into dispenser supply tracks. Track weights **MUST BE USED** to provide positive feed.

### **NAPKINS, SINGLES, CARDBOARD-BOXED, SEMIGLOSS FINISH; CAPACITY: 30, BOX SIZE: 4-1/4" x 3" x 1-1/8" (108mm x 76mm x 29mm)**

Stayfree	No. 4
Guards	No's. 247, or 147
Kotex	No's. 704, 707, 07010, 07040, 07045, 07300, 07320
Pure-Nat	No. M-4
Modess	No. 4

### **TAMPONS, CYLINDER, CARDBOARD, SEMIGLOSS, CRIMPED ENDS; CAPACITY: 27, TUBE SIZE: 3/4" dia. x 5-1/4" (19mm x 134mm)**

Tampax	
Modess Tampons	