



# AMERICAN SPECIALTIES, INC.

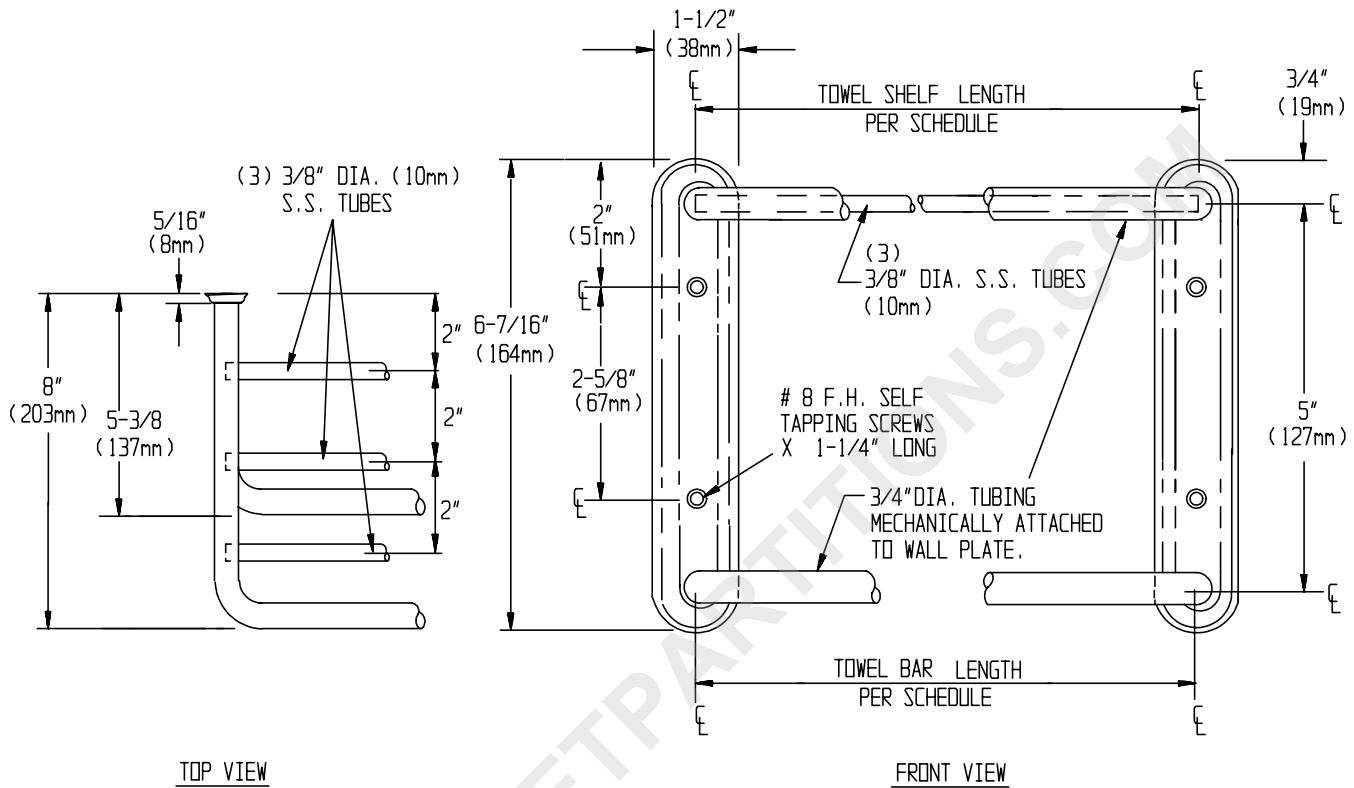
441 Saw Mill River Road, Yonkers, NY 10701 (914) 476-9000  
www.americanspecialties.com

MODEL No: 7311-20  
7311-24

ISSUED: 8-03

REVISED: 1-06

## SURFACE MOUNTED TOWEL SHELF WITH DRYING ROD



### SPECIFICATION

Surface Mounted Towel Shelf with Drying Rod shall be fabricated of stainless steel alloy 18-8, type 304. Wall mounting plates shall be formed for strength with dimpled mounting holes. Cross tubes shall be 3/8" diameter (Ø10mm) and shall be held in receiver holes in continuous 3/4" diameter (Ø19mm) formed mounting frame mechanically retained in wall plates. Drying rod below shelf shall be 3/4" diameter (Ø19mm) formed tube mechanically retained in wall plates. Surface finish of entire unit shall be bright. Length shall be as chosen from schedule and indicated by code suffix.

Surface Mounted Towel Shelf with Drying Rod shall be Model N° 7311-20 or N° 7311-24 of American Specialties, Inc., 441 Saw Mill River Road, Yonkers, New York 10701-4913

### INSTALLATION

Surface mount unit on wall using N° 8 flat or oval head self tapping screws (by others) through countersunk holes provided in mounting plate into suitable prepared mountings (by others) or other suitable mounting hardware (by others) to suit wall conditions. For compliance with ICC/ANSI A-117.1-2003 and ADA Accessibility Guidelines install unit with top of shelf 48" (1219mm) maximum above finished floor (MAX AFF) if clear floor forward reach or if clear floor side reach access only is provided or 46" (1168mm) MAX AFF if side reach access over an obstruction (e.g. vanity) with reach depth greater than 10" (254mm) and less than 25" (635mm) is only provided or 44" (1118mm) MAX AFF if forward reach over an obstruction (e.g. commode) with reach depth greater than 20" (508mm) and less than 25" (635mm) is only provided. For general utility install 68" (1727mm) MAX AFF.

LENGTH	MODEL N°
20" (508mm)	7311-20
24" (610mm)	7311-24

Accessory Specialties

AMERICAN DISPENSER

Desert Ray Products

WATROUS INC.