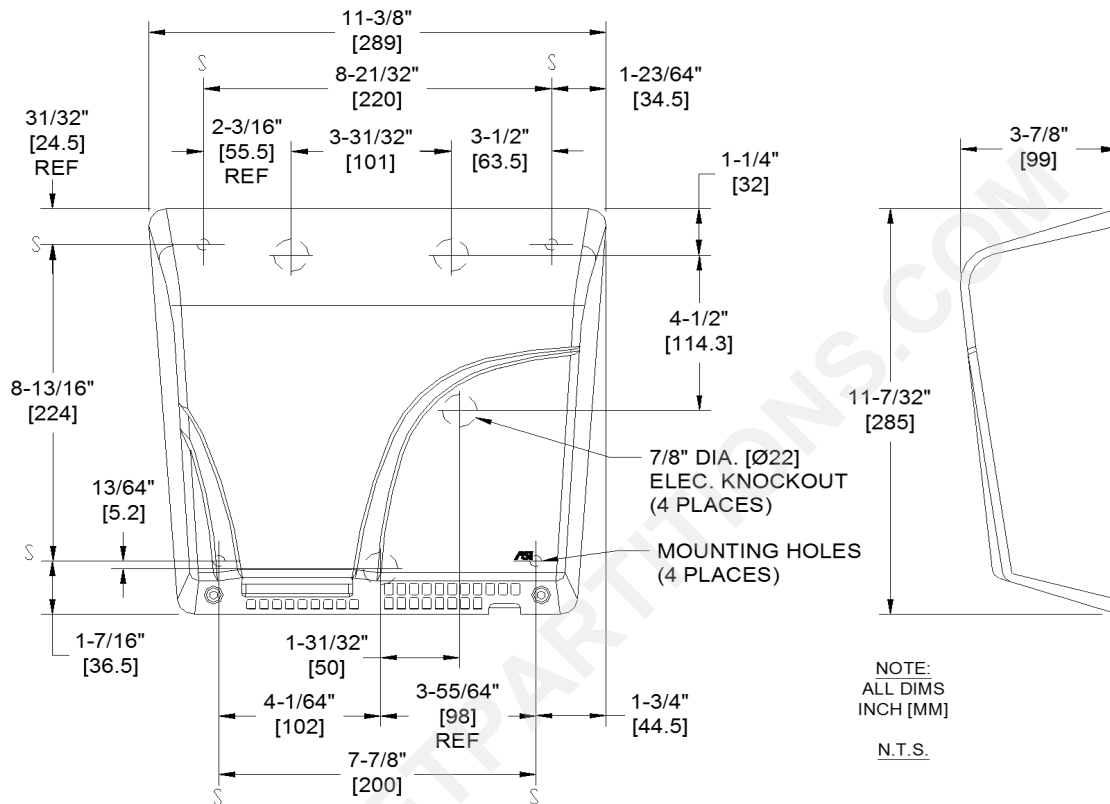





AMERICAN SPECIALTIES, INC.
 441 Saw Mill River Road, Yonkers, NY 10701
 (914) 476.9000 • (914) 476.0688
 www.americanspecialties.com

MODEL No:	0165
ISSUED:	10/05
REVISED:	15 AUG 2016

SURFACE MOUNTED SENSOR HAND DRYER (PAGE 1 OF 2)



SPECIFICATION

Surface Mounted Hand Dryer shall operate automatically from IR sensor that shall activate dryer when hands are placed in sensor zone. Motor and heating element shall have internal resetting automatic thermal protection. Cover shall be fabricated of one-piece, heavy-duty cast aluminum 7/64" [2.8] thick, and shall have all exposed surfaces finished with acid, chip and scratch resistant epoxy enamel. Fixed directional air vanes shall be heavy duty, rust proof and tamper resistant. Air intake slots shall not allow access to internal parts. Back plate shall be furnished with vibration isolating mounting bushings. Circuitry shall have self-adjusting time-out and fail-safe off protection controlled by a microprocessor that shall detect and reject false signals and shall automatically self-calibrate to provide uniform sensitivity over its entire life span. Entire unit shall be internally electrically grounded. Dryer unit shall have  approval and be listed under the re-examination services of Underwriters Laboratories, Inc. Unit shall be warranted against defects in materials or workmanship for Ten (10) years.

Surface Mounted Sensor Hand Dryer shall be Model No 0165 of American Specialties Inc., 441 Saw Mill River Road, Yonkers, NY 10701-4913

INSTALLATION

Unit is surface mounted on wall with four (4) 1/4" [6] screws, washers and bushings (supplied) through rubber grommets (supplied) in a corrosion protected formed heavy steel back plate. For masonry walls use expansion bolts or anchors for 1/4" [6] screws. Electrical service is supplied and connected (by others) prior to installing cover. Cover is secured to back plate with two (2) hex socket security screws (supplied). For compliance with 2010 ADA Accessibility Standards, unit should be installed so that bottom edge of dryer is 48" [1219] maximum above finished floor (AFF). For general utility, install unit so that bottom edge of dryer is 45" to 50" [1143 to 1270] AFF. For two or more dryers, dryers should be no closer than 24" [610] on center.

OPERATION

Dryer is activated by user placing hands under sensor. Dryer automatically shuts off after time-out when user removes hands from sensor zone.



AMERICAN SPECIALTIES, INC.
 441 Saw Mill River Road, Yonkers, NY 10701
 (914) 476.9000 • (914) 476.0688
 www.americanspecialties.com

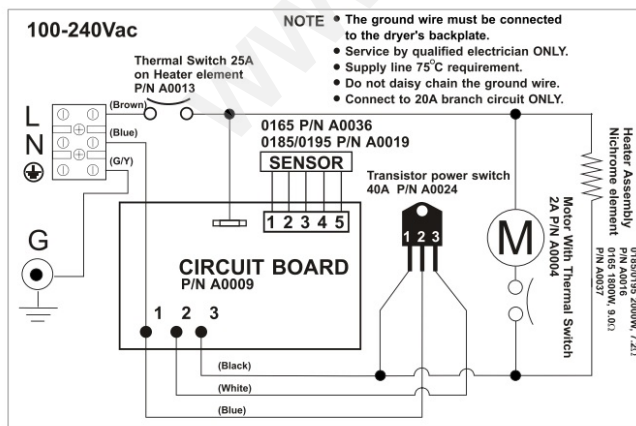
MODEL №:	0165
ISSUED:	10/05
REVISED:	15 AUG 2016

SURFACE MOUNTED SENSOR HAND DRYER (PAGE 2 OF 2)

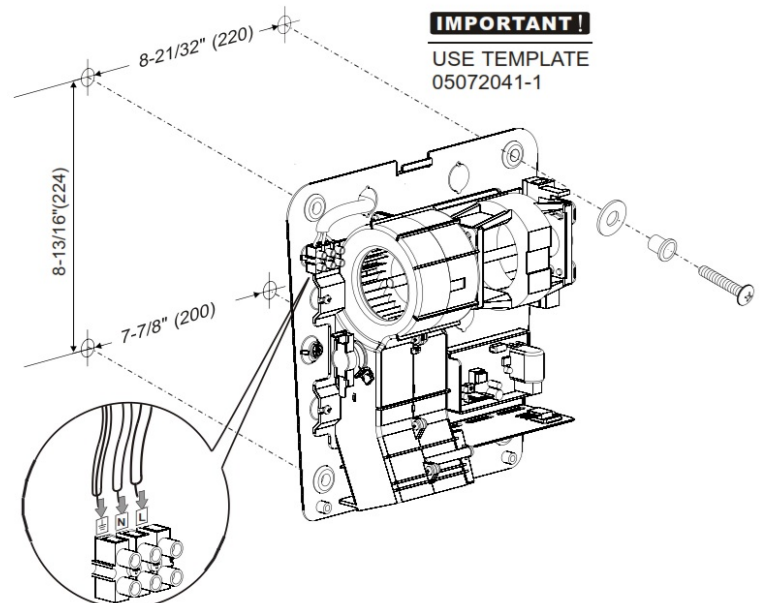
MODEL	TYPE	TIMING	VOLTS HERTZ	AMPS	WATTS	SOUND PRESSURE	COVER COLOR
0165	Hand	Automatic	115V AC-50/60 Hz	14.4	1653	71.3 @ 1m 66 @ 2m	White
			208V AC-50/60 Hz	13	1352		
			240V AC-50/60 Hz	15	1800		

MODEL	MOTOR	H/P	FAN TYPE	AIR FLOW	HEATING ELEMENT	HEAT TEMP.
0165 115V AC	Brush Type Dual Ball Bearings	1/4	7500	180 CFM (306 m ³ /h)	1488 Watt Nichrome wire with auto reset circuit breaker @ 115V AC	140° F (60° C) @ 77° F (25° C) ambient room temperature
0165 208V AC					1217 Watt Nichrome wire with auto reset circuit breaker @ 104V AC	
0165 240V AC					1620 Watt Nichrome wire with auto reset circuit breaker @ 120V AC	

Circuit Diagram



Installation Diagram



See installation template and instructions packed with unit.