



AMERICAN SPECIALTIES, INC.

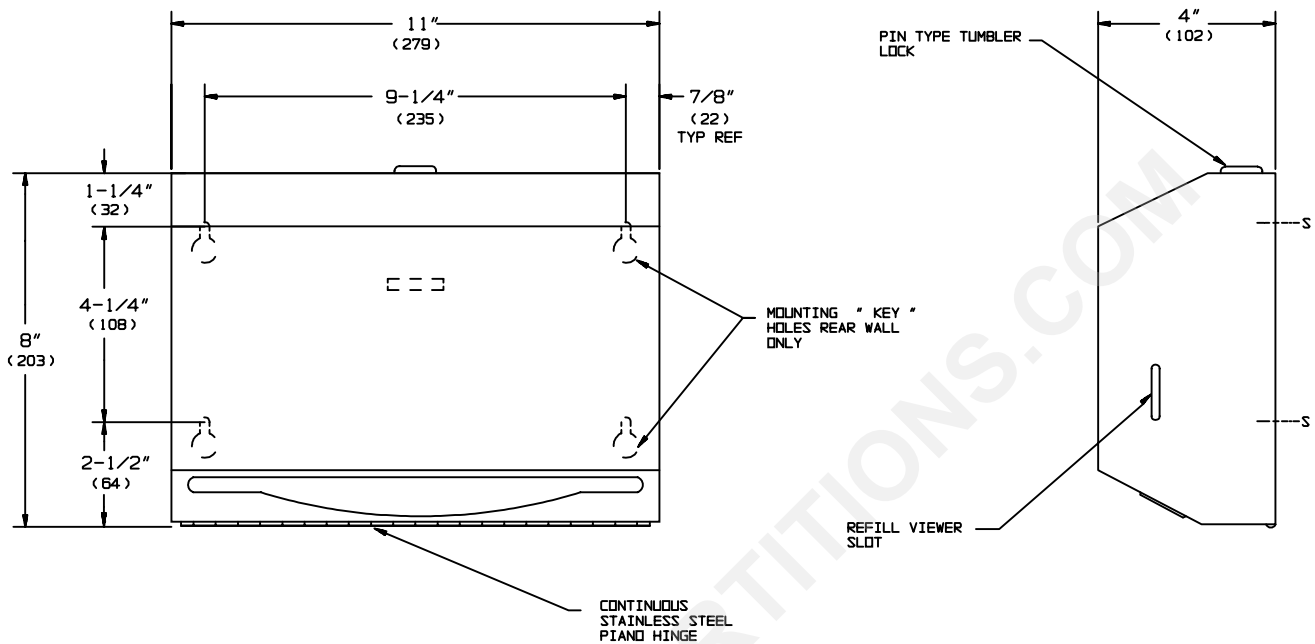
441 Saw Mill River Road, Yonkers, NY 10701 (914) 476-9000
www.americanspecialties.com

MODEL No: 0215

ISSUED: 1-87

REVISED: 5-07

SURFACE MOUNTED PETITE PAPER TOWEL DISPENSER



Note:
Dimensions are in inches and (millimeters)

SPECIFICATION

Surface Mounted Petite Paper Towel Dispenser shall hold and dispense 200 standard C-fold or 275 standard multi-fold paper towels and shall be fabricated 22 gauge type 304 stainless steel alloy 18-8. All exposed surfaces shall have a N° 4 satin finish and shall be protected during shipment with PVC film easily removable after installation. Towel dispensing slot shall have a fully hemmed-in rolled edge for snag-free dispensing and user safety. Dispenser door shall be attached to the bottom of unit with a concealed full length 3/16" diameter (Ø4.8) heavy duty stainless steel multi-staked piano hinge and shall be held closed with a tumbler lock keyed alike to other ASI washroom equipment. Structural assembly of body and door components shall be of welded construction. Unit shall be provided with refill viewer slots on each side. Unit shall have internal towel stack guides. Wall shall be protected against uncontrolled door-drop damage by self-limiting body and hinge construction. Dispenser shall enable simplified installation by hanging on pre-installed screw pattern (by others).

Surface Mounted Stainless Steel Petite Paper Towel Dispenser shall be Model N° 0215 as manufactured by American Specialties, Inc., 441 Saw Mill River Road, Yonkers, New York 10701-4913

INSTALLATION

Unit is surface mounted on wall or partition using five N° 10 self-tapping screws (by others) through concealed mounting holes provided. Four mounting holes through back are keyhole slots for ease in hanging unit on pre-installed screws. Center top mounting hole is horizontal slot for ease of adjustment and vandal resistant locking. For compliance with ADA Accessibility Guidelines, install unit so that towel dispenser slot is 48" (1219) maximum AFF if clear floor access is provided or 46" (1168) maximum AFF if side reach over an obstruction (vanity) is only provided.

OPERATION

Towels are self-feeding as withdrawn by hand until supply is depleted. Unit may be reloaded with a partial load in-place and will continue to feed properly. Low level of towel supply is indicated from 35% capacity to empty. Unit is a reduced-size model and has less capacity than larger models, therefore it is recommended to use this unit in space-restricted or low traffic areas. Locking door prevents unauthorized access or removal.

Accessory Specialties

AMERICAN DISPENSER

Desert Ray Products

WATROUS INC.