



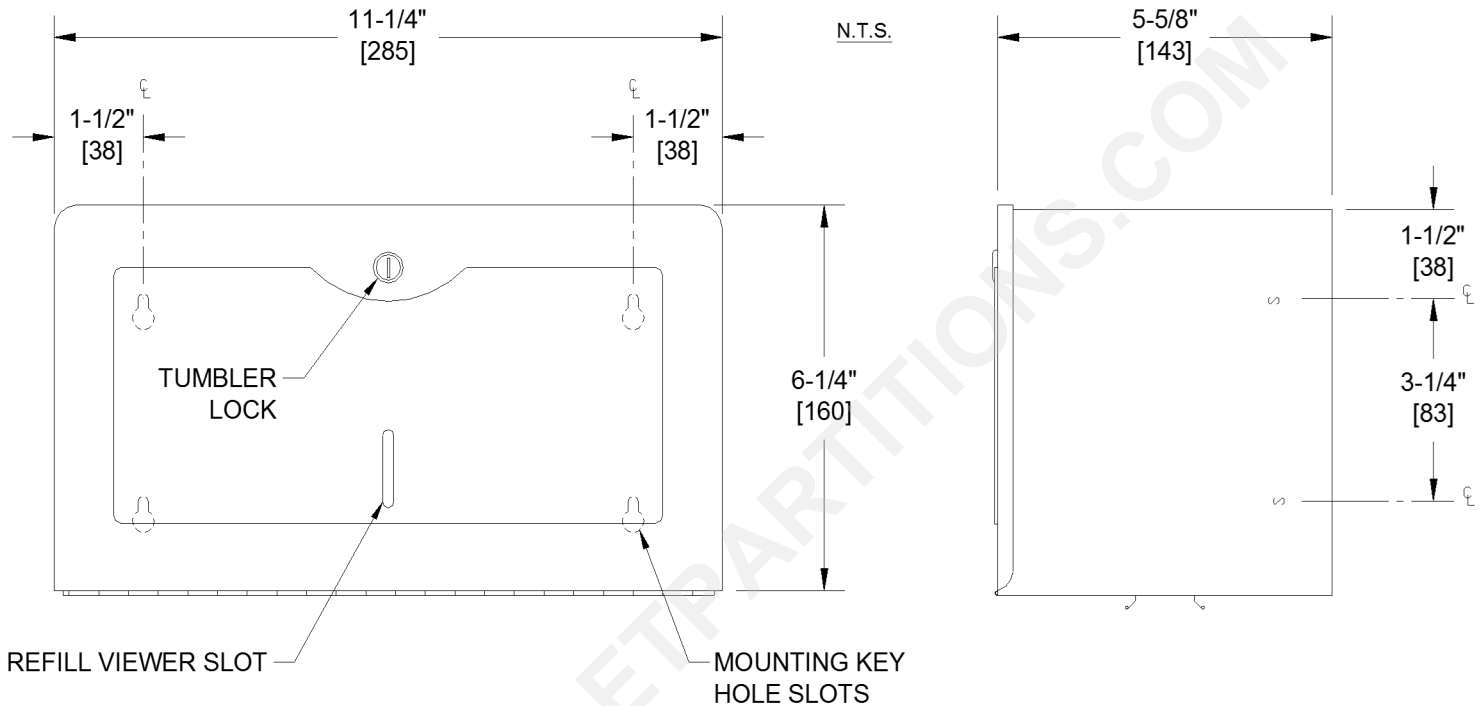
**AMERICAN SPECIALTIES, INC.**  
 441 Saw Mill River Road, Yonkers, NY 10701  
 (914) 476.9000 • (914) 476.0688  
 www.americanspecialties.com

|                 |                    |
|-----------------|--------------------|
| <b>MODEL №:</b> | <b>0245-SS</b>     |
| <b>ISSUED:</b>  | <b>1-87</b>        |
| <b>REVISED:</b> | <b>27 OCT 2016</b> |

## SURFACE MOUNTED PAPER TOWEL DISPENSER

NOTE:  
 ALL DIMS  
 INCH [MM]

N.T.S.



ELEVATION

SIDE VIEW

### SPECIFICATION

Surface Mounted Paper Towel Dispenser shall hold and dispense 400 standard single-fold paper towels and shall be fabricated of 22 gauge type 304 stainless steel alloy 18-8. Towel dispensing slot shall have a fully deburred edge for snag-free dispensing and user safety. Dispenser door shall be attached to bottom of unit with a full length 3/16" dia. [Ø4.7] stainless steel multi-staked piano hinge. Structural assembly of body and door components shall be of welded construction. Door shall be provided with a refill view indicator and be held closed with a tumbler lock. All exposed surfaces shall be satin finish and be protected during shipment with a PVC film easily removable after installation.

**Surface Mounted Paper Towel Dispenser shall be Model № 0245-SS as manufactured by American Specialties, Inc. 441 Saw Mill River Road Yonkers, New York 10701-4913**

### INSTALLATION

Unit is surface mounted on wall or partition using № 10 self-tapping screws (by others).

### OPERATION

Towels are self-feeding until supply is depleted. Unit may be reloaded with a partial load in-place and will continue to feed properly. Low level of towel supply is indicated from 30% capacity to approximately 15% level.