



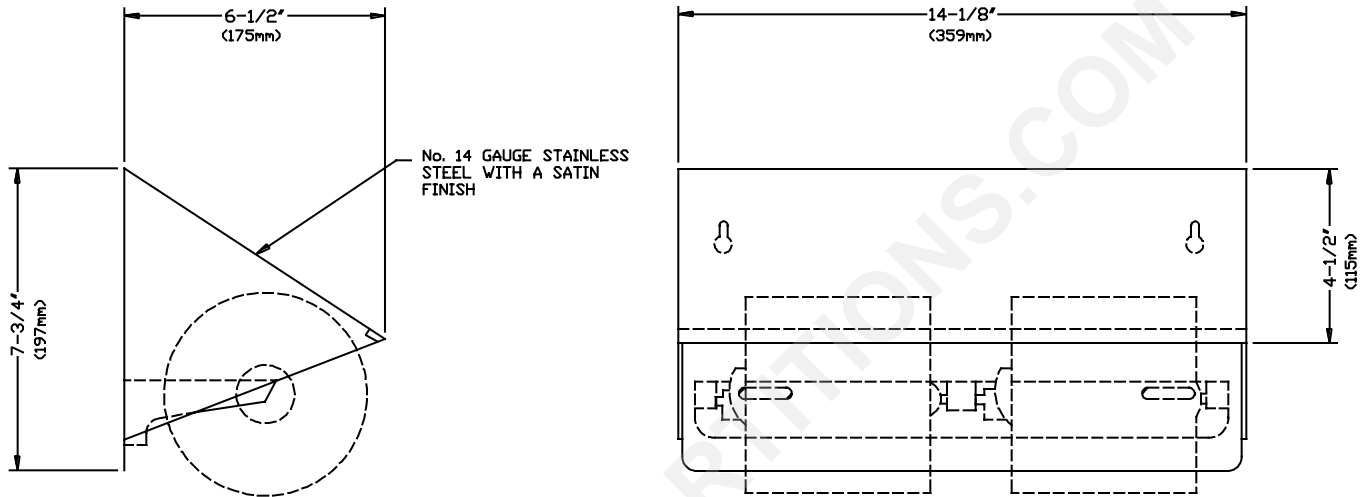
AMERICAN SPECIALTIES, INC.
441 Saw Mill River Road, Yonkers, NY 10701 (914) 476-9000

MODEL No: 0267

ISSUED: 1-87

REVISED: 3-97

SURFACE MOUNTED VANDAL PROOF HOOD FOR DOUBLE ROLL



SPECIFICATION

Surface Mounted Vandal Proof Hood for Double Roll Toilet Tissue Holder (TPH) shall be fabricated of Alloy 18-8 stainless steel, Type 304, N^o 14 gauge. Structural assembly of body shall be of welded construction and have no exposed fasteners or welded seams. All exposed surfaces shall be N^o 4 Satin finish and be protected during shipment with a PVC film easily removable after installation.

Surface Mounted Vandal Proof Hood for Double Roll Holder shall be Model N^o 0267 as fabricated by American Specialties, Inc. 441 Saw Mill River Road Yonkers, New York 10701-4913

INSTALLATION

Unit is surface mounted on wall or partition using 1/4" or N^o 10 Theft Proof Fasteners such as one-way screws (not supplied). Two (2) mounting holes through back are "keyhole" slots for ease in hanging unit on pre-installed screws and two (2) lower mounting holes match up with mounting hole locations in 0264-1, 0264-12, 0264-1A and 0264-1A2. Selected TPH (not supplied) mounts over hole through back plate.

OPERATION

Unit is to be used in conjunction with Toilet Paper Holder Model N^o's 0264-1, 0264-12, 0264-1A and 0264-1A2 (not supplied) and prevents application of downward force on TPH.

Accessory Specialties

AMERICAN DISPENSER

Desert Ray Products

WATROUS INC.