



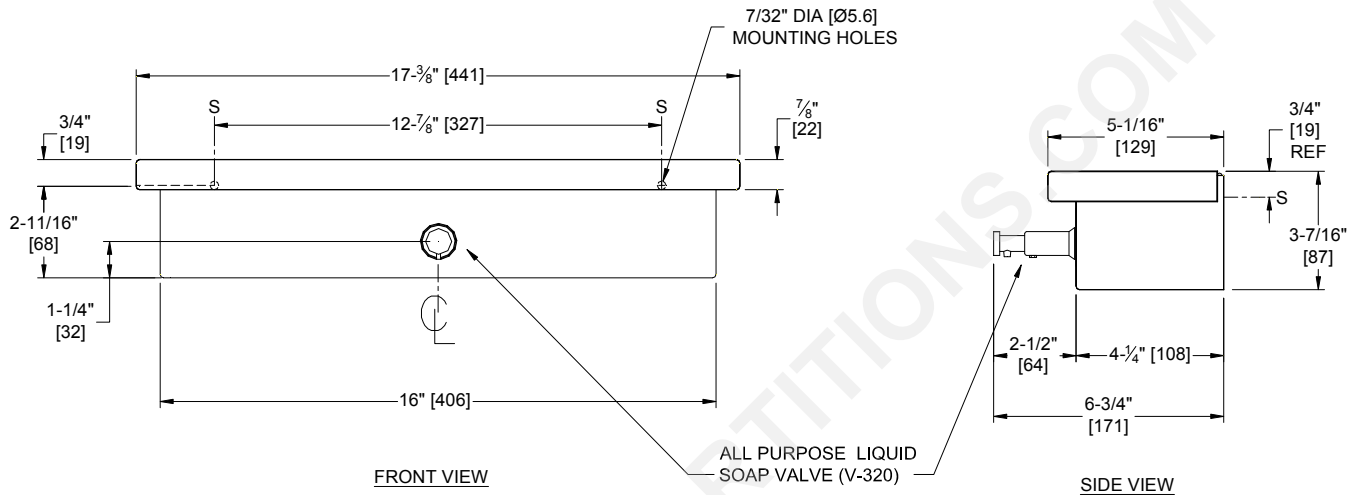
AMERICAN SPECIALTIES, INC.  
441 Saw Mill River Road, NY 10701  
(914) 476.9000 • (914) 476.0688  
www.americanspecialties.com

MODEL №: 0318

ISSUED: 01/87

REVISED: 15 Aug 12

## COMBINATION SOAP DISPENSER AND SHELF



### SPECIFICATION

Combination Soap Dispenser and Shelf shall hold and dispense 83 oz or 2.6 quarts (2.5liters) of liquid and lotion soaps, synthetic detergents and antibacterial soaps containing PCMX and/or Triclosan. Dispenser tank and shelf/cover shall be type 304 stainless steel alloy 18-8. Holding tank shall be fabricated as a welded integral unit; tank and shelf/cover shall be 18 gauge. All exposed surfaces shall be satin finish and be protected during shipment with PVC film easily removable after installation. Shelf/cover shall be held closed with a concealed latch. Valve operation shall comply with 2010 ADA Accessibility Standards by requiring no more than 5 lbs<sub>f</sub> (22.2 Newtons) pressure to actuate and require no grasping or twisting by operator. Valve shall have a chrome-plated brass body with stainless steel, rubber and plastic internal parts.

**Combination Soap Dispenser and Shelf shall be Model № 0318 of American Specialties, Inc., 441 Saw Mill River Road, Yonkers, New York 10701-4913**

### INSTALLATION

Unit is mounted on wall using two (2) № 10 screws (by others) through concealed mounting holes in tank back. For compliance with 2010 ADA Accessibility Standards, install unit so that dispenser valve is 44" (1118) maximum above finished floor.

### OPERATION

Soap is manually dispensed by pushing valve button until supply is depleted. Unit may be reloaded easily by opening hinged shelf/cover. Tank supply is replenished manually on cycle determined by maintenance needs.