



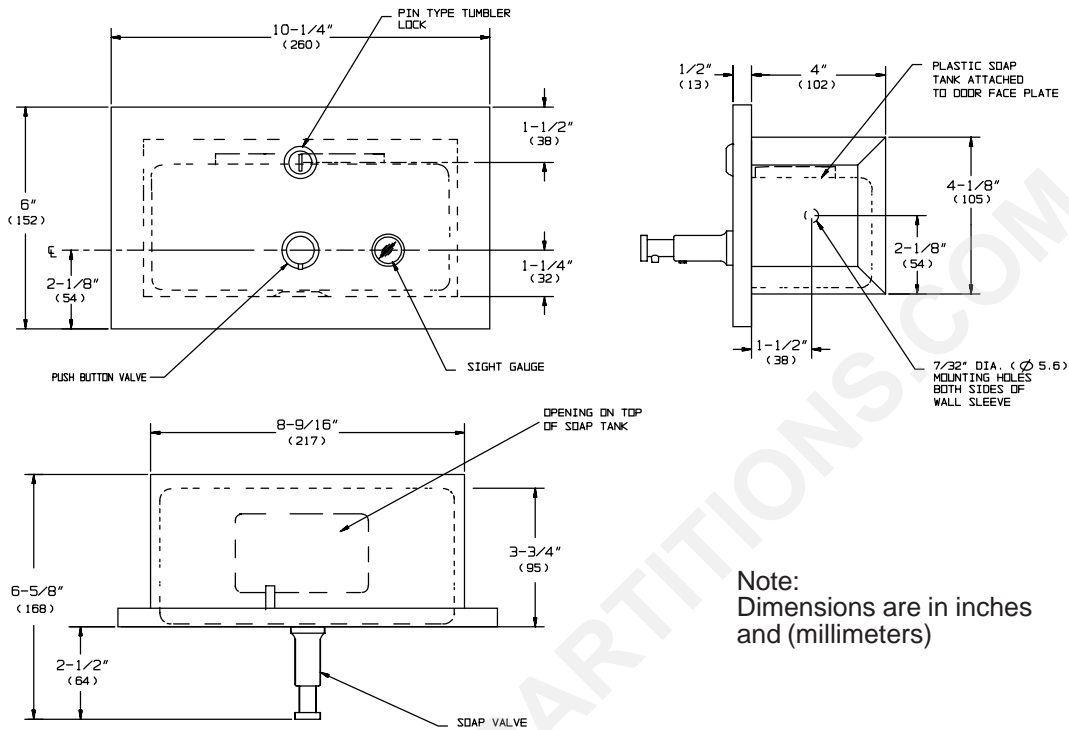
AMERICAN SPECIALTIES, INC.
 441 Saw Mill River Road, Yonkers, NY 10701 (914) 476-9000
 www.americanspecialties.com

MODEL No: 0326

ISSUED: 1-87

REVISED: 9-07

RECESSED SOAP DISPENSER



SPECIFICATION

Recessed Soap Dispenser shall have a capacity of 57 oz (1.7 liters) of liquid, lotion or detergent soap, synthetic detergents and antibacterial soaps containing PCMX and/or Triclosan and shall dispense contents from a stem-type push-button valve. Dispenser door, mounting frame and valve push-button shall be fabricated of stainless steel type 304 alloy 18-8. Door shall be 18 gauge and mounting frame shall be 22 gauge. Door shall be held closed with a tumbler lock keyed alike to other ASI washroom equipment and have 1/2" (13) square returns to wall. Cabinet shall have no exposed fastening devices. Internal soap tank shall be seamless molded leak-proof polyethylene with a large open top for easy refilling. An impact resistant clear plastic liquid level indicator shall be provided. Valve shall be constructed of a chrome-plated brass body with stainless steel and plastic internal parts. Valve operation shall comply with ADAAG and ICC/ANSI A-117.1 by providing actuation with a force less than 5 lbs_f (22.2N) requiring only one (1) hand and with no tight grasping, pinching or twisting of the wrist required. All exposed panel surfaces shall have a N^o 4 satin finish and face panel assembly with tank, sight gage and valve shall be protected during shipment in a plastic bag.

Recessed Soap Dispenser shall be Model N^o 0326 of American Specialties, Inc., 441 Saw Mill River Road, Yonkers, New York 10701-4913

INSTALLATION

Unit is mounted in wall recess using two (2) N^o 10 self-tapping screws (by others) through concealed mounting holes provided. For compliance with ADA Accessibility Guidelines, install unit so that valve is 48" (1219) MAX AFF only if clear floor reach access is provided or 46" (1168) MAX AFF if side reach over an obstruction only is provided (e.g. vanity). Note that top of RWO is 9/16" (14) below top of unit.

Rough Wall Opening (RWO) required is 9"W x 4-7/8"H x 4"D (229 x 124 x 102)

OPERATION

Pushing valve button manually dispenses soap until supply is depleted. Unit may be refilled easily with a partial load in-place and will continue to feed properly until soap level is below valve intake port. Tank supply is refilled manually on cycle determined by maintenance needs.

Accessory Specialties

AMERICAN DISPENSER

Desert Ray Products

WATROUS INC.