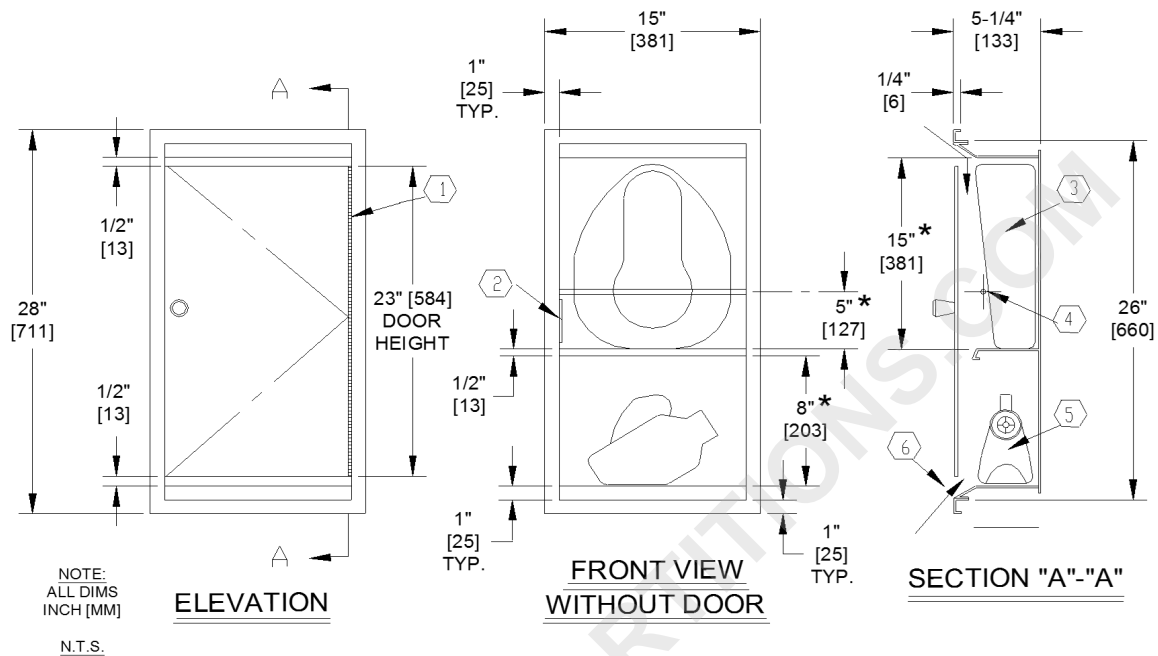




AMERICAN SPECIALTIES, INC.
 441 Saw Mill River Road, Yonkers, NY 10701
 (914) 476.9000 • (914) 476.0688
 www.americanspecialties.com

MODEL №:	0551
ISSUED:	01/87
REVISED:	4 APR 2017

RECESSED BEDPAN AND URINAL BOTTLE STORAGE CABINET



NOTE: * THESE DIMENSIONS TO SUIT PHYSICAL SAMPLES OF UTENSILS

NOTE: PHYSICAL BED PAN AND URINAL BOTTLE ARE REQUIRED TO CHECK FOR PROPER FIT

LEGEND FOR SECTION

- | | | |
|-------------------|-----------------------|-------------------------------------|
| 1. Piano hinge | 3. Bedpan (by others) | 5. Urinal bottle (by others) |
| 2. Magnetic catch | 4. Retaining rod | 6. Airflow gap top & bottom of door |

SPECIFICATION

Recessed Bedpan and Urinal Bottle Storage Cabinet shall hold one (1) bedpan and one (1) urinal bottle of types indicated on shop fabrication drawings. Unit shall be 22 gauge alloy 18-8 stainless steel, type 304, with a satin finish and shall be protected during shipment with PVC film easily removable after installation. Face trim shall be one-piece construction with no miters or welding 1" [25] wide and returning 1/4" [6] to wall. Cabinet shall have no exposed fastening devices or spot-welded seams. Cabinet door shall be 1/2" [13] thick double-pan construction with No-Flex core and shall be mounted to cabinet body on a heavy-duty 3/16" diameter [Ø4.8] stainless steel multi-staked piano hinge and shall be held closed by a magnetic catch. An open space 1/2" [13] high shall be provided across top and bottom of door to allow convection airflow. Cabinet shall have one (1) 3/8" diameter [Ø10] solid stainless steel rod bedpan holder and one (1) stainless steel shelf.

Recessed Bedpan and Urinal Bottle Cabinet shall be Model № 0551 as manufactured by American Specialties, Inc., 441 Saw Mill River Road, Yonkers, New York 10701-4913.

INSTALLATION

For compliance with 2010 ADA Accessibility Standards, install unit so that bedpan shelf is 48" [1219] maximum above finished floor (MAX AFF) if clear floor reach access is provided or 46" [1168] MAX AFF if side reach over an obstruction is only provided (e.g. vanity). Secure recessed cabinet to wall with № 10 self-tapping screws (by others) through concealed mounting holes.

Rough Wall Opening (RWO) required is 13-3/8" W x 26-1/2" H x 5-3/8" D [340 x 673 x 137]

OPERATION

Cabinet door is held shut with an easy opening magnetic catch. The bedpan is stored on the shelf and held in place by a stainless steel rod. The urinal bottle is stored in the bottom of the cabinet. An open space across the top and bottom of the door allows air to circulate by convection.