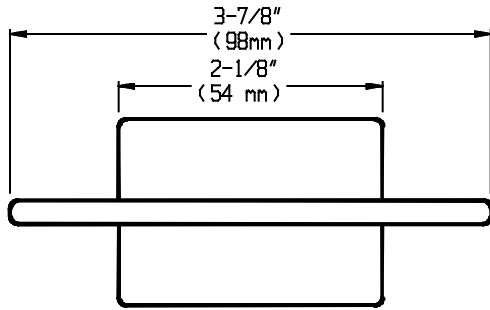




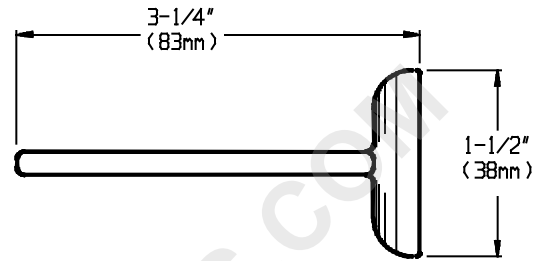
AMERICAN SPECIALTIES, INC.
441 Saw Mill River Road, Yonkers, NY 10701 (914) 476-9000

MODEL No:	0735-Z
ISSUED:	1-87
REVISED:	9-96

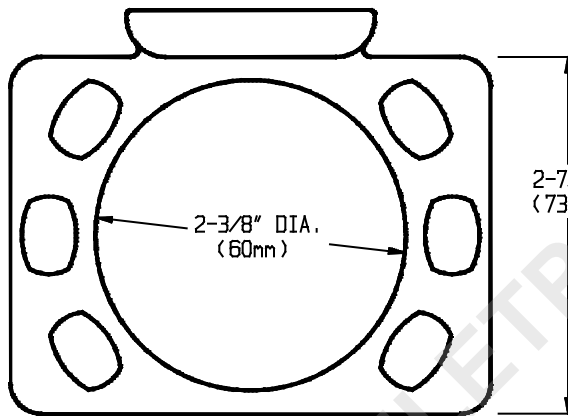
TUMBLER AND TOOTHBRUSH HOLDER



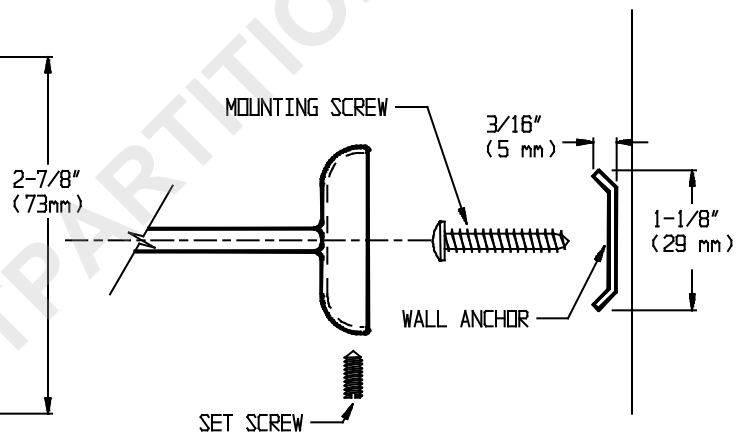
FRONT VIEW



SIDE VIEW



TOP VIEW



ASSEMBLY

SPECIFICATION

Surface Mounted Tumbler and Toothbrush Holder shall be fabricated of triple chrome plated rust proof Zamak. One stainless steel hex socket set screws shall be provided along perimeter of flange for anchoring to stainless steel wall bracket. Mounting hardware shall be provided. Unit shall meet FHA and other federal specifications.

Surface Mounted Tumbler and Toothbrush Holder shall be Model N°0735-Z as fabricated by American Specialties Inc., 441 Saw Mill River Road, Yonkers, New York 10701-4913.

INSTALLATION

Wall bracket is surface mounted using self tapping screws (supplied) through holes provided. Tumbler/Toothbrush Holder is mounted over top leg of bracket and secured by set screw from underside. Suggested location is 52" (1321mm) above finished floor (AFF) to centerline of wall bracket or 6" (152mm) above wash basin.