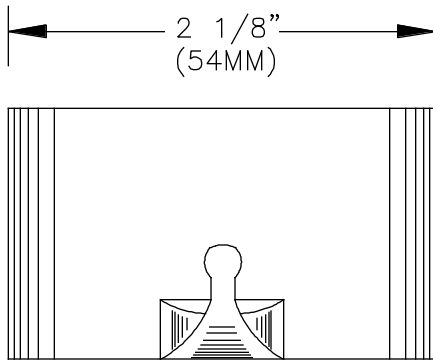




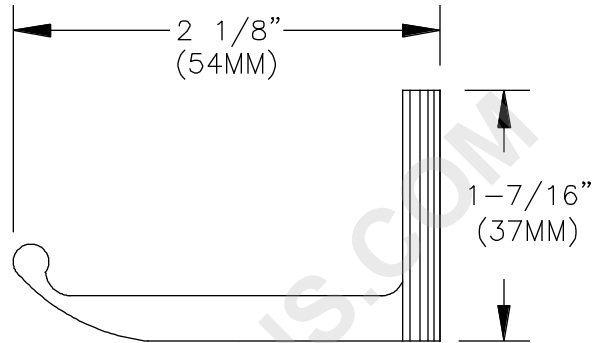
**AMERICAN SPECIALTIES, INC.**  
 441 Saw Mill River Road, Yonkers, NY 10701 (914) 476-9000

MODEL No:	0740-Z
ISSUED:	1-87
REVISED:	9-96

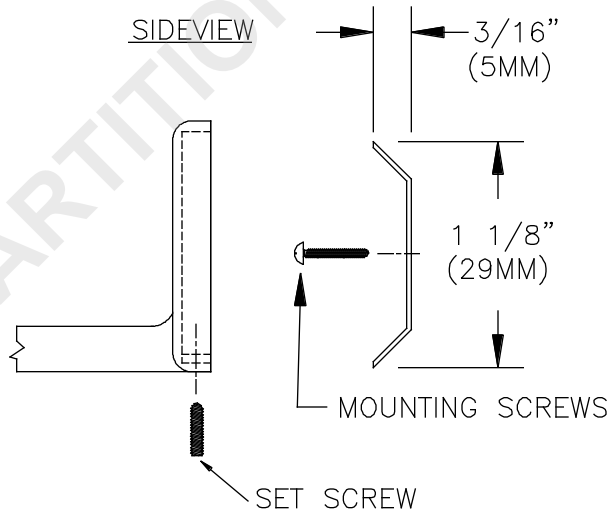
**SINGLE ROBE HOOK**



ELEVATION



SIDEVIEW



TYPICAL INSTALLATION

**SPECIFICATION**

Surface Mounted Single Robe Hook shall be fabricated of triple chrome plated rust proof Zamak. One stainless steel hex socket set screw shall be provided along base of flange for anchoring to stainless steel wall bracket.

Surface Mounted Single Robe Hook shall be Model N° 0740-Z as fabricated by American Specialties, Inc. 441 Saw Mill River Road, Yonkers, New York 10701-4913.

**INSTALLATION**

Wall bracket is surface mounted using N°10 self tapping screws (supplied) through holes provided. Hook is secured to bracket by tightening stainless steel hex socket set screw. Typical mounting suggestion is 66" (1676mm) above finished floor (AFF). For compliance with ADA Accessibility Guidelines, unit should be installed so that top of hook is 54" (1372mm) maximum AFF if clear floor side reach access is provided or 48" (1219mm) max. AFF if clear floor forward reach access is provided.