



AMERICAN SPECIALTIES, INC.

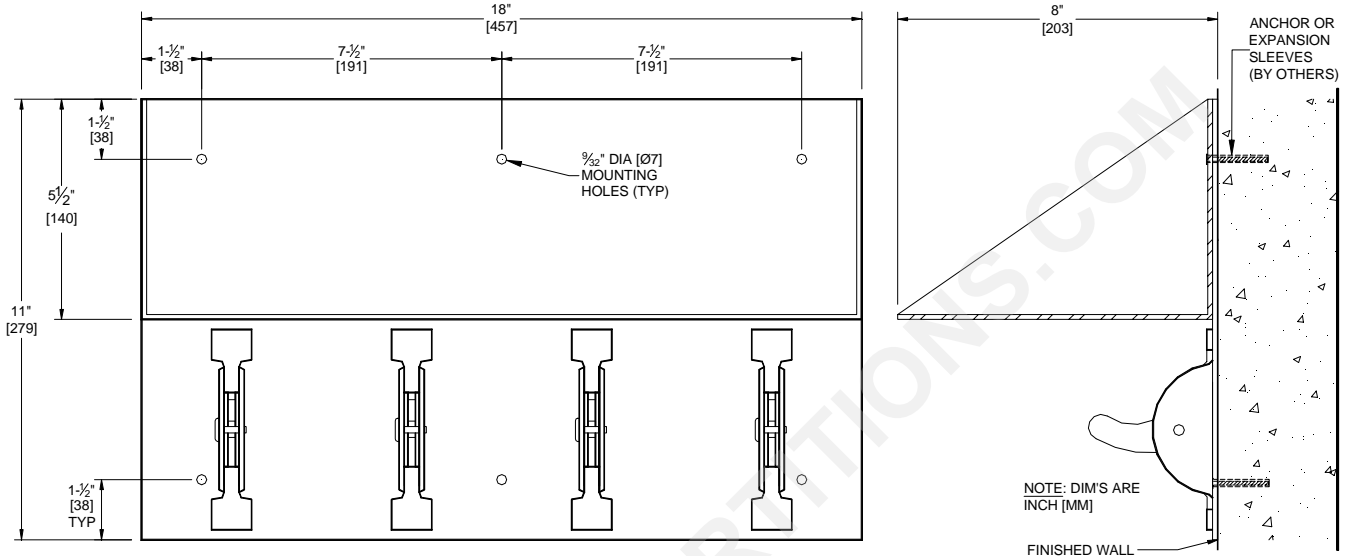
441 Saw Mill River Road, Yonkers, NY 10701 (914) 476-9000
www.americanspecialties.com

MODEL No: 137

ISSUED: 01-87

REVISED: 07-08

BOOKSHELF WITH FOUR (4) SECURITY SAFETY CLOTHES HOOKS (FRONT MOUNTING)



SPECIFICATION

Bookshelf with four (4) Security Safety Clothes/Towel Hooks for surface mounting shall be fabricated of type 304 stainless steel alloy 18-8. Hooks shall be 7 gauge, brackets shall be 11 gauge, back plate and bookshelf shall be 14 gauge. Safety hook tension is adjustable by means of a captive round head stainless steel spanner screw. Hooks shall smoothly drop down when load exceeds 35 lb (16 kg) limit when correctly set. Hook geometry and bracket shall prevent hooks from being set in vertical-up position. All exposed surfaces shall have N^o 4 satin finish. All seams shall be welded and ground smooth. The unit is provided with six (6) clear mounting holes that shall accept 1/4"-20 x 2" long (M6 x 51) stainless steel pin-Torx[®] button head machine screws (supplied).

Bookshelf with four (4) Security Safety Clothes/Towel Hooks shall be Model N^o 137 of American Specialties Inc., 441 Saw Mill River Road, Yonkers, New York 10701-4913

INSTALLATION

For compliance with ADA Accessibility Guidelines, install unit so that shelf is no more than 48" (1219) maximum above finished floor (MAX AFF). Surface mount unit on finished wall with six (6) 1/4"-20 x 2" long (M6 x 51) pin-Torx[®] button head machine screws (supplied) into wall anchors (by others) or alternate wall preparation (by others) through mounting holes provided.

OPERATION

An 18" W x 8" D (457 x 203) bookshelf is provided with triangular sidewalls to function as bookends. Clothes/towel hooks will release down when overloaded beyond the 35 lb (16 kg) limit. Hook tension may be adjusted to maintain trip threshold over the life of the product.