



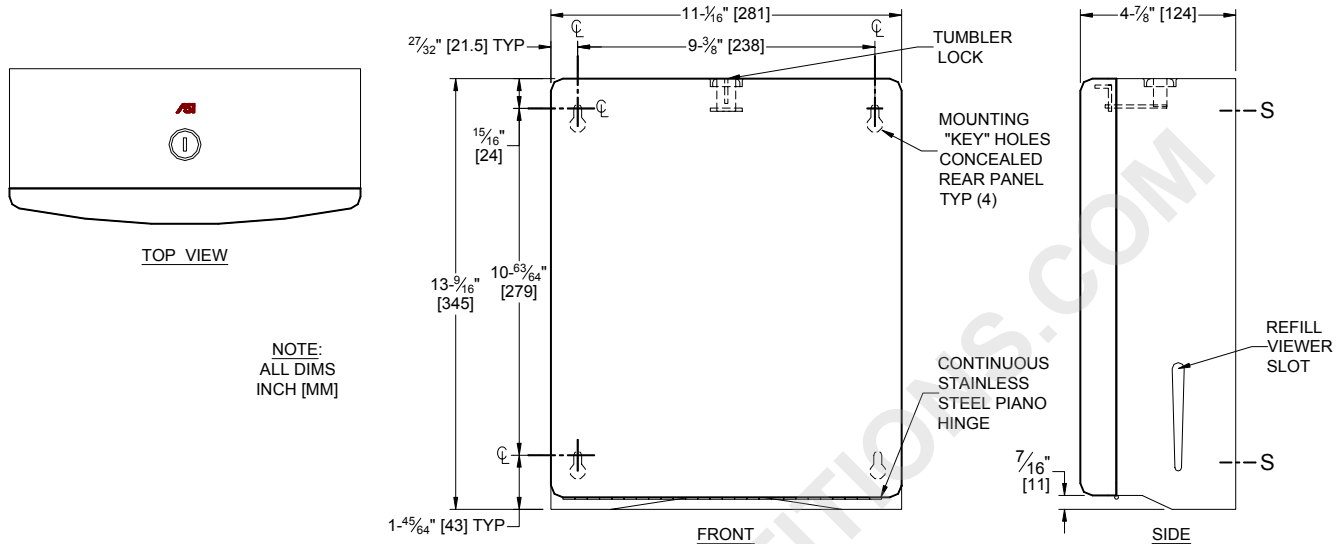
AMERICAN SPECIALTIES, INC.
 441 Saw Mill River Road, NY 10701 (914) 476-9000
 www.americanspecialties.com

MODEL №: 20210

ISSUED: 08/09

REVISED:

ROVAL™ SURFACE MOUNTED PAPER TOWEL DISPENSER



NOTE:
 ALL DIMS
 INCH [MM]

SPECIFICATION

Royal™ Collection Surface Mounted Paper Towel Dispenser shall hold and dispense 525 standard multi-fold or 400 standard C-fold paper towels and shall be fabricated 22 gauge type 304 stainless steel alloy 18-8. Cabinet full door shall be drawn seamless and shall have bowed front face and gently radiused edges to provide added strength and complimentary appearance for modern washroom aesthetics. All exposed surfaces shall have a satin finish and shall be protected during shipment with PVC film easily removable after installation. Towel dispensing slot shall have a fully hemmed-in rolled edge for snag-free dispensing and user safety. Dispenser door shall be attached to the bottom of unit with a full-width 5/32" diameter (Ø4) heavy-duty stainless steel multi-staked piano hinge and shall be held closed with a recessed tumbler lock keyed alike to other ASI washroom equipment. Structural assembly of body and door components shall be of welded construction. Unit shall be provided with refill viewer slots on each side. Wall below unit shall be protected against accidental door drop by self-limiting body and hinge construction. Dispenser shall enable simplified installation by hanging on pre-installed screw pattern (by others) on concealed keyhole slotted mounting holes.

Royal™ Collection Surface Mounted Paper Towel Dispenser shall be Model № 20210 of American Specialties, Inc., 441 Saw Mill River Road, Yonkers, New York 10701-4913

INSTALLATION

Surface mount unit on wall or partition using four (4) № 10 self-tapping pan head screws (by others) through concealed keyhole slotted mounting holes provided. For compliance with ADA Accessibility Guidelines install unit so that towel dispenser slot is 48" (1219) maximum AFF if clear floor access is provided or 46" (1168) maximum AFF if side reach over an obstruction (e.g. vanity) is only provided.

OPERATION

Towels are self-feeding as withdrawn by hand until supply is depleted. Unit may be reloaded with a partial load in-place and will continue to feed properly. Low level of towel supply is indicated from 25% capacity to empty. Locking door prevents unauthorized access or removal.