



**AMERICAN SPECIALTIES, INC.**

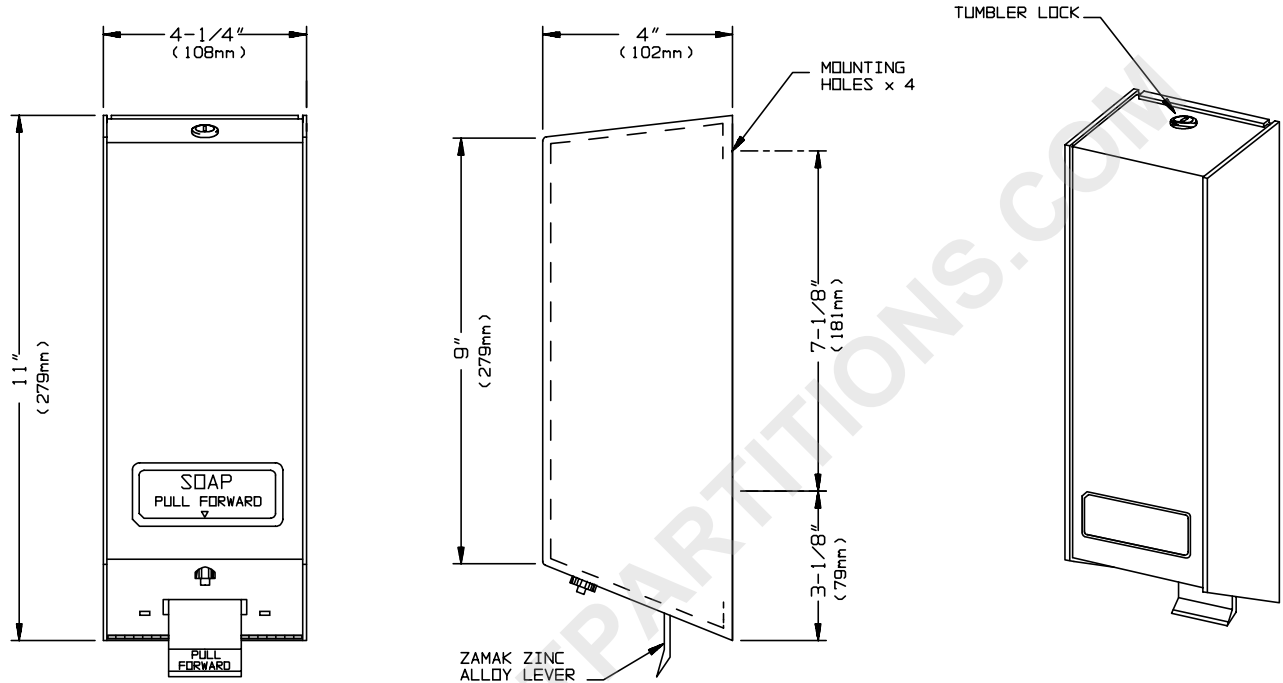
441 Saw Mill River Road, Yonkers, NY 10701 (914) 476-9000

MODEL No: 5001-SS

ISSUED: 1-87

REVISED: 9-04

**SURFACE MOUNTED DISPOSABLE CARTRIDGE SOAP DISPENSER**



**SPECIFICATION**

Surface Mounted Disposable Cartridge Soap Dispenser unit shall be fabricated of alloy 18-8 stainless steel, type 304. Dispenser housing and wall bracket shall be 16 gauge. Dispenser door shall be 22 gauge, attached to unit at the bottom with a full length 3/16" (5mm) dia. stainless steel multi-staked piano hinge and held closed with a tumbler lock keyed alike to other ASI washroom equipment. Dispenser lever shall be a ruggedized Zamak alloy casting. All exposed surfaces shall have N° 4 satin finish and be protected during shipment with PVC film that shall be easily removable after installation. Valve shall be fabricated of heavy-duty vinyl and shall be permanently attached to a disposable soap cartridge.

**Surface Mounted Soap Dispenser shall be Model N° 5001-SS as manufactured by American Specialties, Inc. 441 Saw Mill River Road, Yonkers, New York 10701- 4913**

**INSTALLATION**

Unit is surface mounted to wall or partition using N° 10 screws (by others) through concealed mounting holes. For compliance with ADA Accessibility Guidelines, unit should be installed so that dispenser lever is 54" (1372mm) maximum above finished floor (AFF) if clear floor side reach access is provided or 48" (1219mm) maximum AFF if clear floor forward reach access only is provided or 46" (1168mm) max. AFF if side reach over an obstruction is only provided (i.e. vanity). For general utility install unit so that lever is 46" (1168mm) AFF or 15" (382mm) above wash basin.

**OPERATION**

Soap is forced through disposable valve by pulling a lever forward. Disposable cartridges are available to dispense soap, hand lotion, heavy duty cleaner, waterless cleaner and antiseptic soap and are typically good for 1500 washings. Typical soap cartridges are super-concentrated cleansing formula approved for medical and food handling facilities.

Accessory Specialties

AMERICAN DISPENSER

Desert Ray Products

**WATROUS** inc.