



- Model 6542 – Liquid Soap **Bradex**<sup>®</sup>
- Model 6542-73 – Foam Soap **Bradex**<sup>®</sup>

- Tank Type Horizontal
- Surface-Mounted
- ADA Compliant

**Product Materials**

**Body:** 20 gauge stainless steel with exposed surfaces in architectural satin finish.  
**Back:** 20 gauge stainless steel; welded to the body.  
**Wall Plate:** stainless steel.  
**Liquid Soap Valve:** chrome-plated brass housing with ABS plastic mechanism.  
**Foam Soap Valve:** chrome-plated ABS mechanism.

**Capacity**

40-oz. liquid or bulk foam soap.

**Operation**

Push-in valve dispenses measured amount of vegetable or coconut oil liquid soaps, synthetic detergents, antiseptic solutions or foam soap with less than 5 lbs. of force. Sight gauge indicates refill time. Locked filler top opens with special key provided.

- Bradley liquid soap valves operate best with any vegetable oil or coconut oil hand soap having a 10–15% soap concentration.
- Bradley foam soap valves work with majority of bulk foam soap.

**Installation**

Verify all rough-in dimensions prior to installation. Secure separate mounting bracket to wall. Slide dispenser into place and secure locking screw through filler hole.

**Guide Specification**

Surface-mounted soap dispenser shall be fabricated of 20 gauge satin finish stainless steel. Dispenser shall have completely concealed mounting, vandal-resistant filler hole cover and sight gauge. Push-in corrosion-resistant soap valve. Capacity: 40-oz. liquid or bulk foam soap. Requires less than 5 lbs. of force to dispense soap.

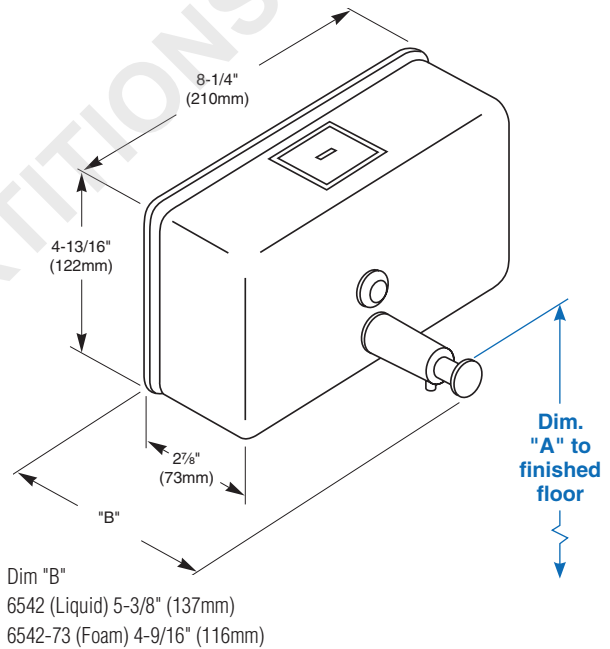
**Overall dimensions: 8-1/4"W x 4-13/16"H x 2-7/8"D.**

**ADA Compliant**

- Consult local and national accessibility codes for proper installation guidelines.
- Conformity and compliance to local and national codes is the responsibility of the installer.

**Service Kits**

Liquid Soap Valve - P15-408  
 Foam Soap Valve - P15-510



Dim. "A" Key Surface:	For Dim. "A"	Top of Unit	Bottom of Unit
Push button top to finished floor	40" (1016mm)	43 1/4" (1099mm)	38 3/8" (975mm)
	38" (965mm)	41 1/4" (1048mm)	36 3/8" (924mm)
	36" (914mm)	39 1/4" (997mm)	34 3/8" (873mm)
	34" (864mm)	37 1/4" (946mm)	32 3/8" (822mm)
<b>Rough wall opening:</b>			
Surface-Mount:	No rough opening, see overall dimensions		