



AMERICAN SPECIALTIES, INC.

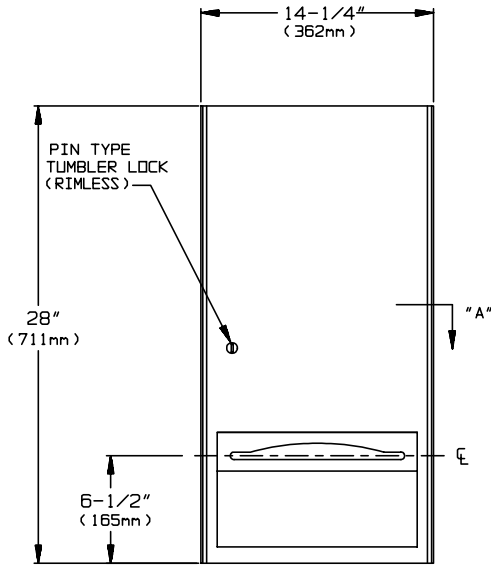
441 Saw Mill River Road, Yonkers, NY 10701 (914) 476-9000

MODEL No: 9452

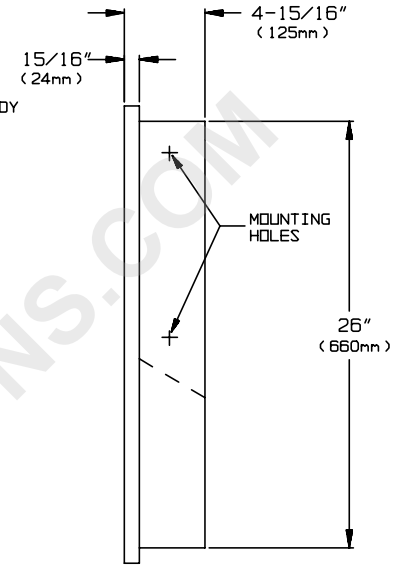
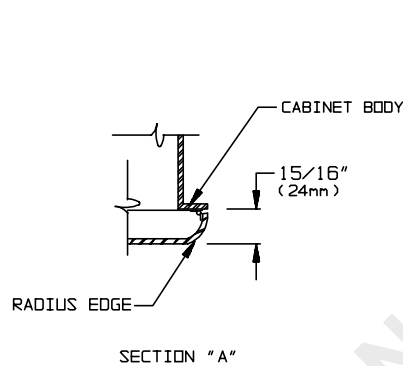
ISSUED: 1-87

REVISED: 9-04

PROFILE COLLECTION RECESSED PAPER TOWEL DISPENSER



FRONT VIEW



SIDE VIEW

SPECIFICATION

Profile Collection Recessed Paper Towel Dispenser shall hold and dispense 800 standard multi-fold or 600 standard C-fold paper towels. Cabinet and door shall be fabricated of alloy 18-8 stainless steel, type 304. Cabinet shall be 20 gauge, with a 1" (25mm) wide perimeter return to lay flat against wall. Full face door shall be 16 gauge, free of miters, welding or open seams with 15/16" (24mm) square horizontal returns to wall and 3/4" (19mm) rounded vertical edges. Door shall be attached to the edge of unit with a full length 3/16" (5mm) dia. stainless steel multi-staked piano hinge and shall be held closed with a rimless tumbler lock keyed alike to other ASI washroom equipment. Towel dispensing slot shall have a fully deburred edge for snag-free dispensing and user safety. Structural assembly of body and door components shall be of welded construction. All exposed surfaces shall have N°4 satin finish.

Profile Collection Recessed Paper Towel Dispenser shall be Model N° 9452 as manufactured by American Specialties, Inc., 441 Saw Mill River Road, Yonkers, New York 10701- 4913

INSTALLATION

Unit is mounted in wall recess using four (4) N° 10 self tapping screws (by others) through concealed mounting holes provided. For compliance with ADA Accessibility Guidelines, unit should be installed so that towel dispenser slot is 54" (1372mm) maximum above finished floor (AFF) if clear floor side reach access is provided or 48" (1219mm) maximum AFF if clear floor forward reach access is provided. Note that top of RWO is 3/4" (19mm) below top of unit. Typical suggested mounting height is 42" (1067mm) AFF to bottom of unit.

Rough Wall Opening (RWO) required is...12-3/4"W x 26-1/2"H x 4-1/4"D (324mm x 673mm x 108mm)

OPERATION

Towels are self-feeding until supply is depleted. Unit may be reloaded with a partial load in-place and will continue to feed properly.

Accessory Specialties

AMERICAN DISPENSER

Desert Ray Products

WATROUS inc.