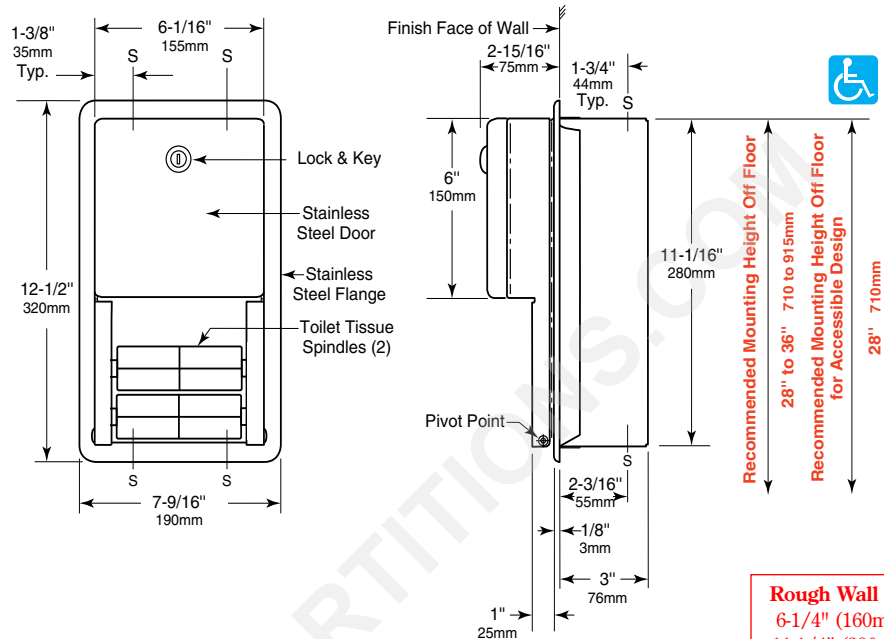




Technical Data

RECESSED MULTI-ROLL TOILET TISSUE DISPENSER

B-3888



Rough Wall Opening
 6-1/4" (160mm) wide
 11-1/4" (290mm) high
 3-1/8" (80mm) minimum
 recessed depth

MATERIALS:

Cabinet — 18-8, type-304, 22-gauge (0.8mm) stainless steel. Welded construction. Exposed surfaces have satin finish.

Flange — 18-8, type-304, 22-gauge (0.8mm) stainless steel with satin finish. Drawn, one-piece, seamless construction.

Door — 18-8, type-304, 22-gauge (0.8mm) stainless steel with 18-gauge (1.2mm) stainless steel door frame. Exposed surfaces have satin finish. Front of door is drawn, one-piece, seamless construction. Secured to cabinet with two rivets. Equipped with a tumbler lock keyed like other Bobrick washroom accessories.

Dispensing Mechanism, Inner Housing and Cam — 18-8, type-304, 18-gauge (1.2mm) stainless steel.

Spindles (2) — Heavy-duty, one-piece, molded ABS. Theft-resistant, spindles retained in dispensing mechanism when door is locked.

OPERATION:

Unit holds two standard-core toilet tissue rolls up to 5-1/4" (133mm) diameter (1800 sheets). Tissue rolls are loaded and locked into dispensing mechanism. Extra roll automatically drops in place when bottom roll is depleted. Depleted rolls can only be removed after unlocking door.

INSTALLATION:

Provide framed rough wall opening 6-1/4" wide x 11-1/4" high (160 x 290mm). Minimum recessed depth required to finish face of wall is 3-1/8" (80mm). Allow clearance for construction features that may protrude into opening from opposite wall. Coordinate with mechanical engineer to avoid pipes, vents, and conduits. Mount unit with shims between framing and cabinet at all points indicated by an S, then secure unit with sheet-metal screws (not furnished).

SPECIFICATION:

Recessed multi-roll toilet tissue dispenser shall be type-304 stainless steel with welded construction, including dispensing mechanism, inner housing and cam; exposed surfaces shall have satin finish. Front of toilet tissue dispenser door shall be drawn, one-piece, seamless construction. Door shall be secured to cabinet with two rivets and equipped with a tumbler lock keyed like other Bobrick washroom accessories. Flange shall be drawn, one-piece, seamless construction. Unit shall dispense two standard-core toilet tissue rolls up to 5-1/4" (133mm) diameter (1800 sheets). Extra roll shall automatically drop in place when bottom roll is depleted. Unit shall be equipped with two heavy-duty, one-piece, molded ABS spindles. Theft-resistant, spindles retained in dispensing mechanism when door is locked.

Recessed Multi-Roll Toilet Tissue Dispenser shall be Model B-3888 of Bobrick Washroom Equipment, Inc., Clifton Park, New York; Jackson, Tennessee; Los Angeles, California; Bobrick Washroom Equipment Company, Scarborough, Ontario; Bobrick Washroom Equipment Pty. Ltd., Australia; and Bobrick Washroom Equipment Limited, United Kingdom.