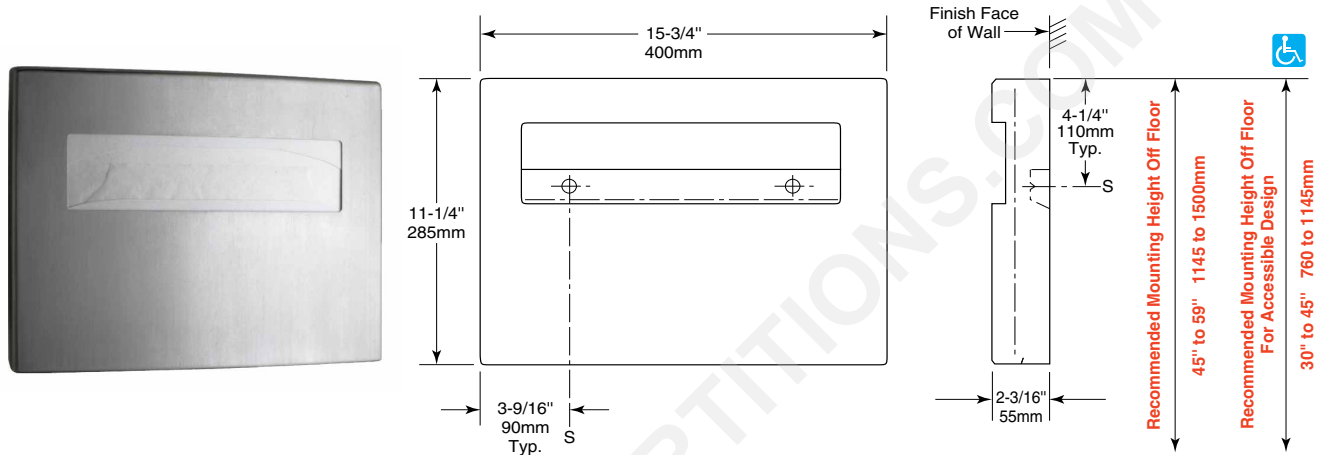




Technical Data

ConturaSeries® SURFACE-MOUNTED SEAT-COVER DISPENSER

B-4221



MATERIALS:

18-8, Type-304, 20-gauge (1.0mm) stainless steel with satin finish. Drawn, one-piece, seamless construction. Front of dispenser has same degree of arc as other Bobrick ConturaSeries washroom accessories. Radius on corners and edges complement other ConturaSeries accessories.

OPERATION:

Dispenser holds single- or half-fold paper toilet-seat covers. Dispenser fills from bottom through concealed opening. Capacity: 250 toilet seat covers.

INSTALLATION:

Mount unit on wall or partition of toilet compartment with two screws (not furnished) at points indicated by an S. For plaster or dry wall construction, provide concealed backing to comply with local building codes and secure with #8 x 1-1/2" (4.2 x 38mm) sheet-metal screws. For other wall surfaces, provide fiber plugs or expansion shields for use with sheet-metal screws, or provide 1/8" (3mm) toggle bolts or expansion bolts.

Note: Provide a 5" (125mm) minimum clearance from bottom of dispenser to top of any horizontal projection to provide room for filling dispenser from bottom.

SPECIFICATION:

Surface-mounted toilet-seat-cover dispenser shall be type-304, 20-gauge (0.9mm) stainless steel with drawn, one-piece, seamless construction; exposed surfaces shall have satin finish. Front of toilet-seat-cover dispenser shall have same degree of arc and match other Bobrick ConturaSeries accessories in the washroom. Radius on corners and edges of toilet-seat-cover dispenser shall complement other Bobrick ConturaSeries washroom accessories. Unit shall have a rectangular opening for dispensing toilet seat covers and a concealed opening in bottom for filling. Capacity shall be 250 single or half-fold paper toilet seat covers.

Surface-Mounted Seat-Cover Dispenser shall be Model B-4221 of Bobrick Washroom Equipment, Inc., Clifton Park, New York; Jackson, Tennessee; Los Angeles, California; Bobrick Washroom Equipment Company, Scarborough, Ontario; Bobrick Washroom Equipment Pty. Ltd., Australia; and Bobrick Washroom Equipment Limited, United Kingdom.