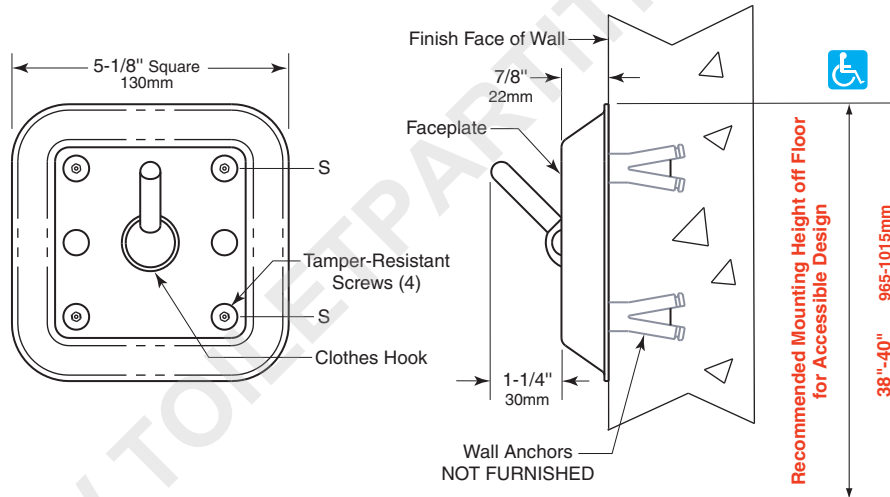




Technical Data

# VANDAL-RESISTANT CLOTHES HOOK (SECURED FROM FRONT)

# B-983



### MATERIALS:

Unit is constructed of 14-gauge (2mm) type 304 stainless steel with exposed surfaces polished to a satin finish. Auto-release hook is tested to hold a minimum of 20 lbs. and release at 40 lbs. or greater. Faceplate shall have sloped edges.

### INSTALLATION:

Secure unit to wall at all points indicated by an S. Unit has countersunk screw holes and is furnished with four 1/4-20 x 1 1/2" (6 x 40mm), tamper-resistant, flat-head, hex-socket, stainless steel machine screws and a security hex key for installation. Expansion shields are not furnished by manufacturer.

### SPECIFICATION:

Clothes hook shall be type-304 stainless steel with satin finish. Faceplate shall have sloped edges and be constructed of 14-gauge (2mm). Hook shall release at a load of 40lbs or greater. Unit shall be furnished with tamper-resistant mounting screws.

**Clothes Hook shall be Model B-983 of Bobrick Washroom Equipment, Inc., Clifton Park, New York; Jackson, Tennessee; Los Angeles, California; Bobrick Washroom Equipment Company, Scarborough Ontario; Bobrick Washroom Equipment Pty. Ltd., Australia; and Bobrick Washroom Equipment Limited, United Kingdom.**