



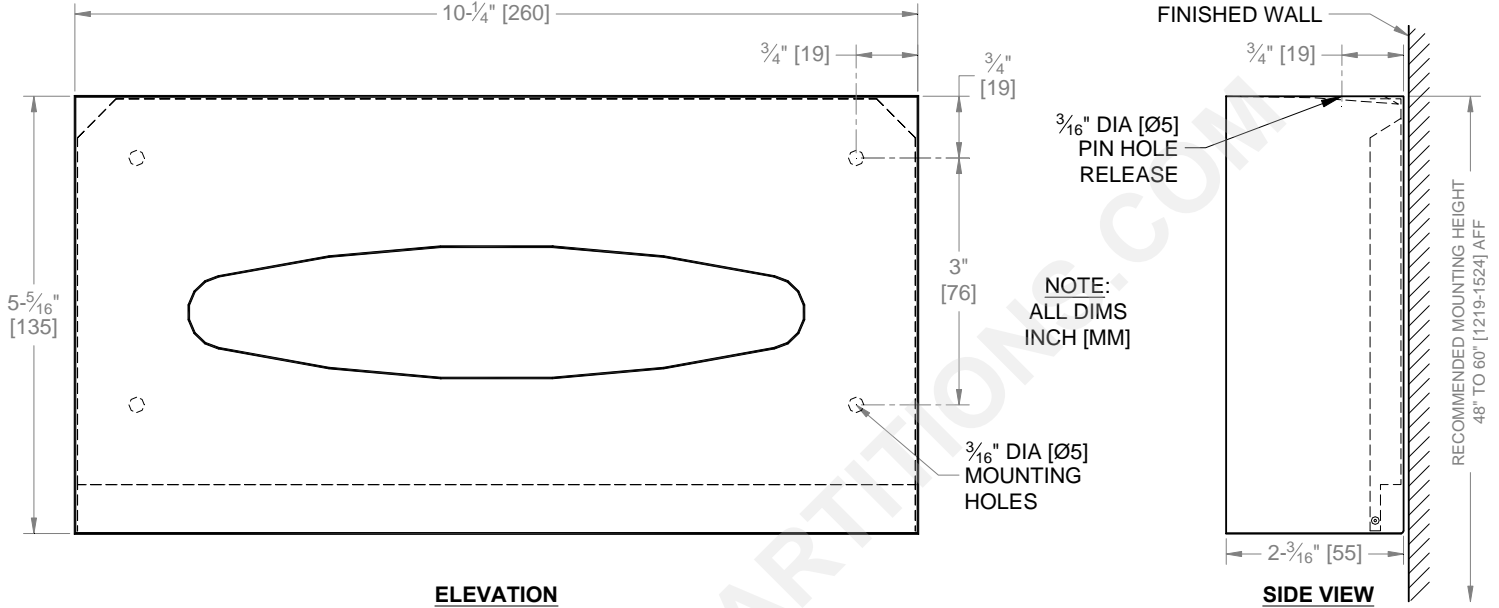
AMERICAN SPECIALTIES, INC.
 441 Saw Mill River Road, NY 10701
 (914) 476.9000 • (914) 476.0688
 www.americanspecialties.com

MODEL №: 0258-SS

ISSUED: 01/87

REVISED: 10/11

SURFACE MOUNTED FACIAL TISSUE DISPENSER



SPECIFICATION

Surface Mounted Facial Tissue Dispenser shall hold and dispense 300 single sheets or 150 two-ply sheets. Cover shall be 22 gauge type 304 stainless steel alloy 18-8 and shall be permanently attached to back with two (2) stainless steel rivet pins and shall be retained by concealed latch releasable by use of special pin key (provided). Towel dispensing slot shall have a fully hemmed-in rolled edge for snag-free dispensing and user safety. Back cover/mounting plate shall be fabricated of 22 gauge corrosion protected steel. All exposed surfaces shall be satin finish and be protected during shipment with PVC film easily removable after installation.

Surface Mounted Facial Tissue Dispenser shall be Model № 0258-SS of American Specialties, Inc., 441 Saw Mill River Road Yonkers, New York 10701-4913

INSTALLATION

Mounting plate is surface mounted on wall or partition using № 10 self tapping screws (by others). Hinged front cover snaps onto the concealed latch integral with the back mounting plate. For compliance with ADA Accessibility Guidelines, install unit so that towel dispenser slot is 48" [1219] maximum AFF if clear floor reach access is provided or 46" [1168] maximum AFF if side reach over an obstruction only is provided (i.e.vanity).

OPERATION

Towels are self-feeding from loaded supply box until supply is depleted. Unit is reloaded with opened full box and first sheet is fed through to slot to start. Maintenance needs determine service cycle. Special pin key is provided to release latch for refill service.