



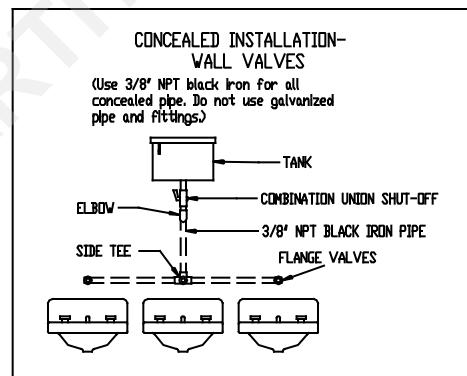
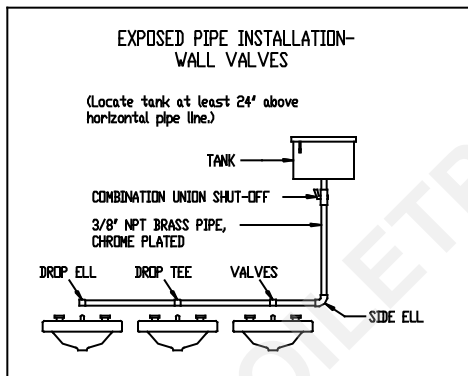
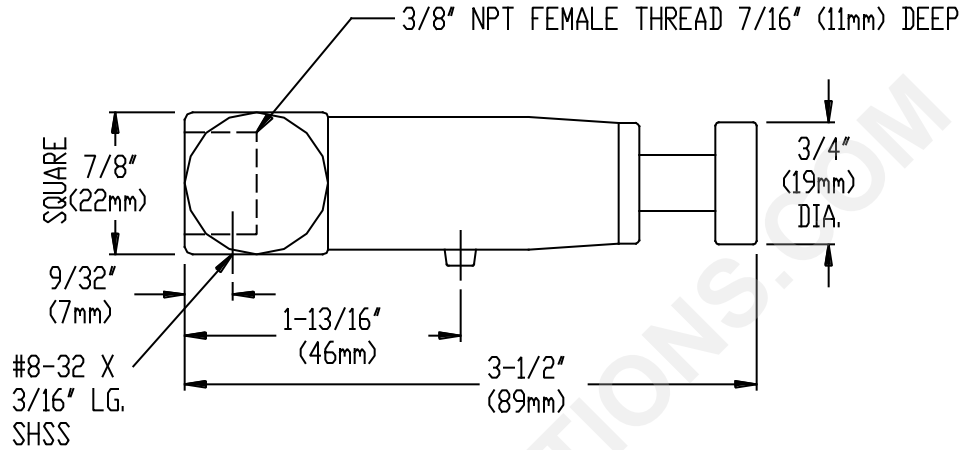
AMERICAN SPECIALTIES, INC.
441 Saw Mill River Road, Yonkers, NY 10701 (914) 476-9000

MODEL No: 0353

ISSUED: 1-87

REVISED: 9-96

SOAP VALVE - LIQUID STANDARD



SPECIFICATION

Soap Valve-Liquid Standard shall have all external parts fabricated of polished chrome plated brass. Internal metal parts shall be plated brass and stainless steel. Piston bushing shall be nylon, with rubber O-ring seal. Valve shall be leakproof when not in operation. Valve operation shall comply with ADA Accessibility Guidelines by requiring no more than 5lbs_f (22.2 Newtons) of pressure to actuate and require no grasping or twisting by operator.

Soap Valve-Liquid Standard shall be Model N^o 0353 as fabricated by American Specialties, Inc. 441 Saw Mill River Road Yonkers, New York 10701-4913.

INSTALLATION

Unit is typically used with gravity feed systems (Model N^{os} 0376, 0377, 0378, 0379) and is located over lavatory basin by connecting to plumbing (by others) of in-wall or surface mounted distribution piping. Option V model is typically installed in shower rooms. Install valve into appropriate position by screwing onto pipe. Use TFE tape to seal threads.

OPERATION

Soap is dispensed manually by depressing valve button until tank is empty.

OPTION

Soap valve is available for use in vertical orientation, unit is supplied with short side spout. Specify suffix V (e.g. 0353-V).