



AMERICAN SPECIALTIES, INC.

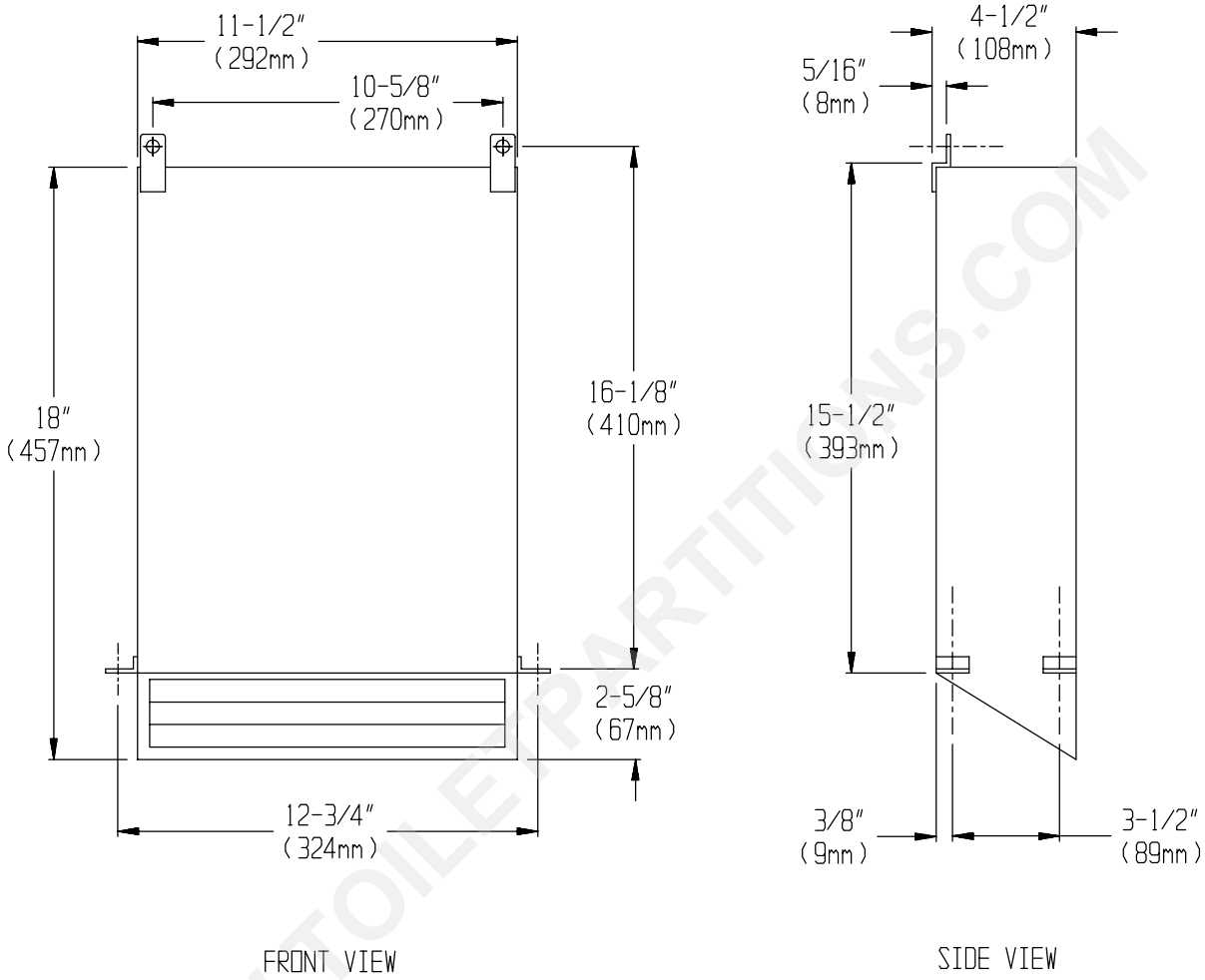
441 Saw Mill River Road, Yonkers, NY 10701 (914) 476-9000

MODEL No: 0439

ISSUED: 1-87

REVISED: 9-04

RECESSED TOWEL DISPENSER



SPECIFICATION

Recessed Towel Dispenser with concealed body for pocket mounting behind mirrors shall hold 800 standard multi-fold or 600 standard C-fold paper towels. Entire unit shall be fabricated of alloy 18-8 stainless steel, type 304, 22 gauge and exposed surfaces shall have N°4 satin finish and be protected during shipment with a PVC film easily removable after installation. Cabinet shall have two push-up flaps to permit filling paper towels from bottom. Cabinet shall have no exposed fastening devices or spot-welded seams.

Recessed Towel Dispenser shall be Model N° 0439 as manufactured by American Specialties, Inc., 441 Saw Mill River Road, Yonkers, New York 10701-4913

INSTALLATION

Mount unit as directed by architect using N° 10 self tapping screws (by others) through holes in mounting tabs provided. For compliance with ADA Accessibility Guidelines, unit should be installed so that towel dispenser slot is 54" (1372mm) maximum above finished floor (AFF) if clear floor side reach access is provided or 48" (1219mm) maximum AFF if clear floor forward reach access only is provided.

OPERATION

Towels are self-feeding until supply is depleted. Towels are refilled from the bottom via two push-up flaps.

Accessory Specialties

AMERICAN DISPENSER

Desert Ray Products

WATROUS .INC.