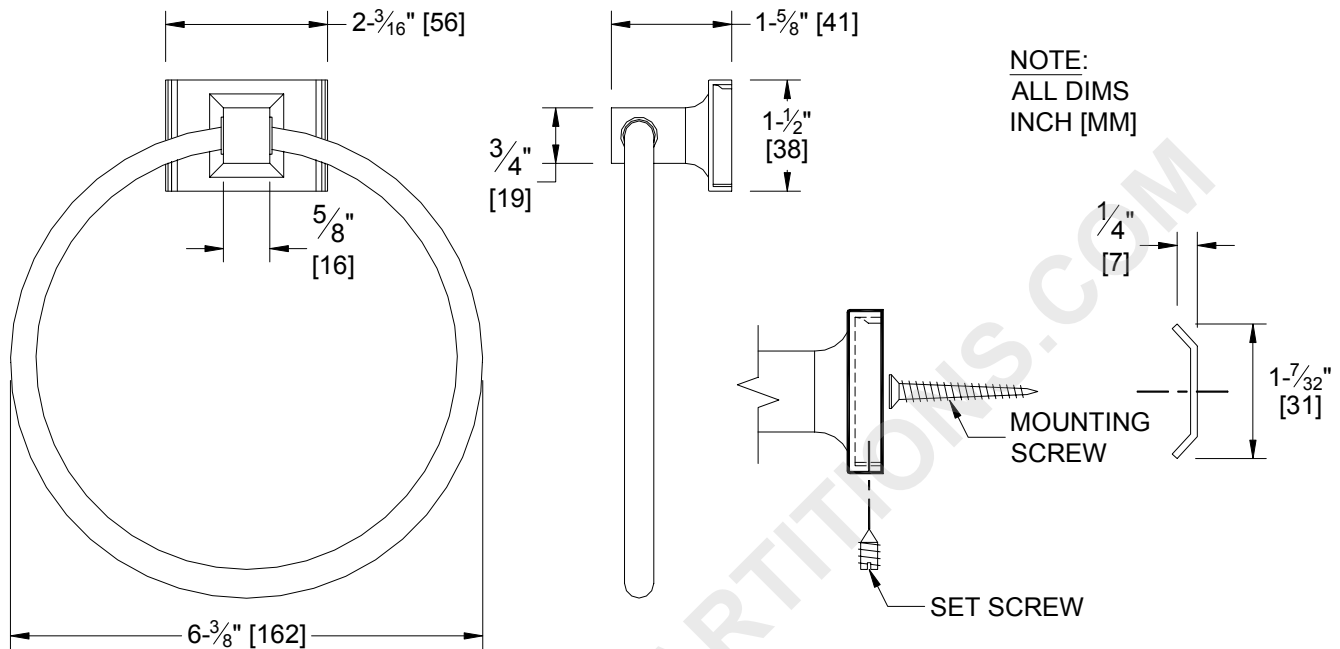




SURFACE MOUNTED TOWEL RING



SPECIFICATION

Surface Mounted Towel Ring shall be fabricated of triple chrome plated corrosion resistant steel. One stainless steel slotted headless socket set screw shall be provided on bottom perimeter of flange for anchoring to stainless steel wall bracket. Mounting hardware shall be provided. Unit shall meet appropriate FHA and other federal specifications.

Surface Mounted Towel Ring shall be Model N^o 0785-Z of American Specialties, Inc., 441 Saw Mill River Road, Yonkers, New York 10701-4913

INSTALLATION

Wall bracket is surface mounted using self tapping screws (supplied). Towel Ring is secured to bracket by tightening stainless steel set screw. For compliance with ADA Accessibility Guidelines, install unit 48" (1219) MAX AFF (maximum above finished floor) to centerline of bracket if clear floor access is provided or 46" (1168) MAX AFF if side reach over an obstruction is only provided (i.e.; vanity). Typical mounting suggestion is 52" (1676) AFF.