



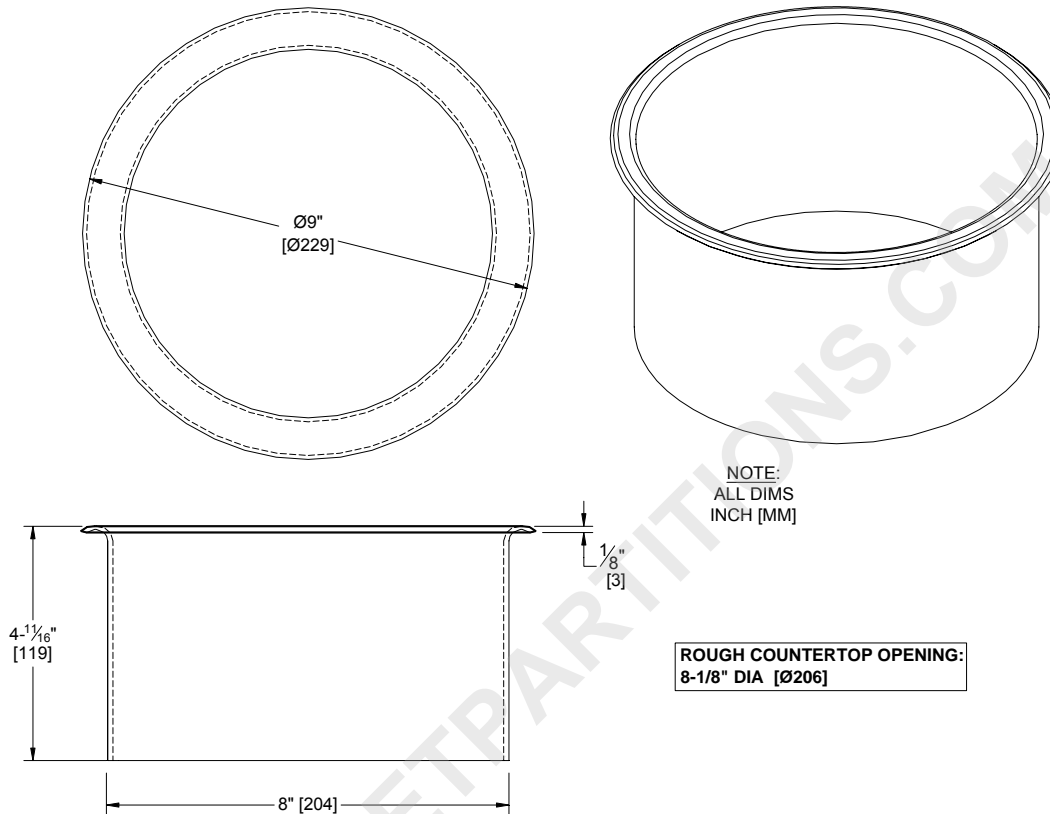
AMERICAN SPECIALTIES, INC.
441 Saw Mill River Road, NY 10701
(914) 476.9000 • (914) 476.0688
www.americanspecialties.com

MODEL №: 1000A

ISSUED: 03/09

REVISED: 07/10

CIRCULAR COUNTER TOP WASTE CHUTE



SPECIFICATION

Circular waste chute shall be fabricated from 20 gauge alloy 18-8 stainless steel, type 304. All exposed rolled flange and interior surfaces of the chute shall have № 4 satin finish. Unit provides waste deposit access to receptacle (not furnished) placed under countertop opening.

Circular counter top Waste Chute shall be Model № 1000A as manufactured by American Specialties, Inc., 441 Saw Mill River Road, Yonkers, New York 10701-4913

INSTALLATION

Unit is designed for permanent installation in 8-1/8" diameter (Ø206) hole in any countertop. Fill in underside of waste chute lip and around portion of waste chute body that protrudes down into mounting hole with silicone sealant (not furnished). Install unit into counter top hole. Once unit is set in place. Wipe off any excess silicone sealant with a clean rag.