



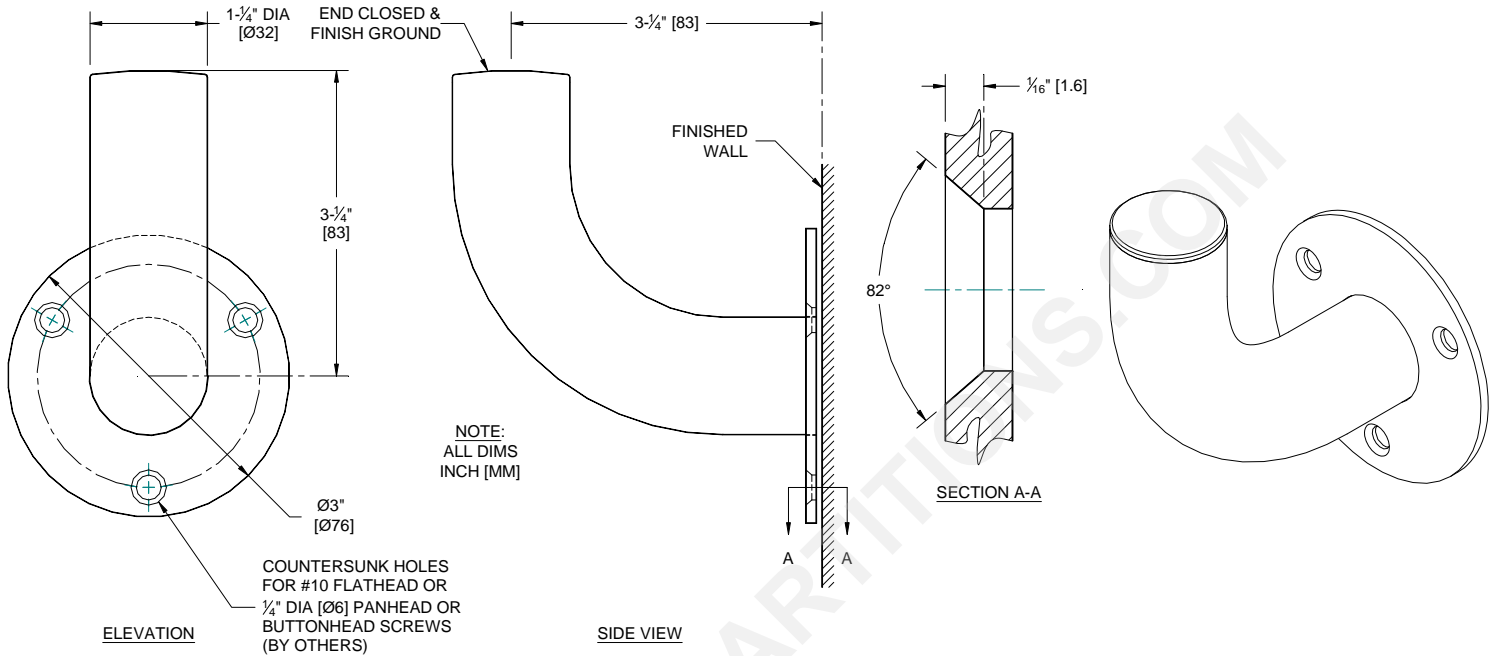
AMERICAN SPECIALTIES, INC.
 441 Saw Mill River Road, NY 10701
 (914) 476.9000 • (914) 476.0688
 www.americanspecialties.com

MODEL №: 111

ISSUED: 10/91

REVISED: 08/11

TOILET PAPER HOLDER



SPECIFICATION

Toilet Paper Holder shall be type 304 stainless steel alloy 18-8. Wall flange shall be 12 gauge and tubing shall be 16 gauge. Tubing shall be welded to flat flange with concealed continuous bead. All exposed surfaces shall have satin finish. Flat flange shall have three (3) countersunk mounting holes to accommodate № 10 flat head screws or 1/4" diameter (Ø 6) pan head or button head screws (all by others).

Toilet Paper Holder shall be Model № 111 of American Specialties Inc., 441 Saw Mill River Road, Yonkers, New York 10701-4913

INSTALLATION

For compliance with ADA Accessibility Guidelines, install unit so that top of paper holder is between 19"(483) minimum above finished floor (AFF) to 48"(1219) maximum AFF and centerline of post is between 7"(180) and 9"(230) from front of commode. Recommended mounting height is 32"(813) AFF. Surface mount unit to finished wall with three (3) № 10-24 x 2" (Ø5 x 50) long pin-Torx® flat head machine screws (by others) into suitable prepared mountings (by others) or other suitable mounting hardware (by others) to suit wall conditions.

OPERATION

One roll of toilet paper is placed over the horn type holder for use as required. Toilet paper is replenished on a cycle determined by maintenance needs.