



**AMERICAN SPECIALTIES, INC.**

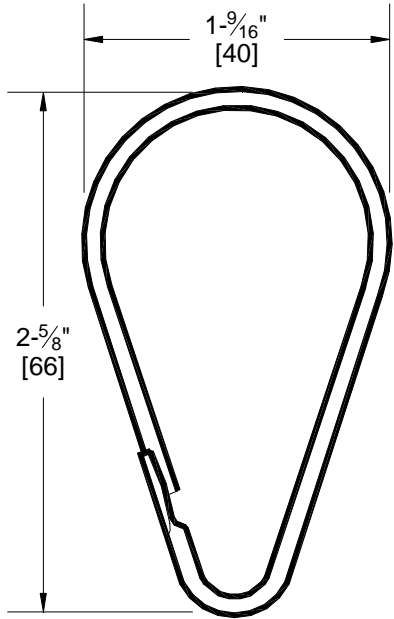
441 Saw Mill River Road, Yonkers, NY 10701 (914) 476-9000  
www.americanspecialties.com

MODEL No: 1200-SHU

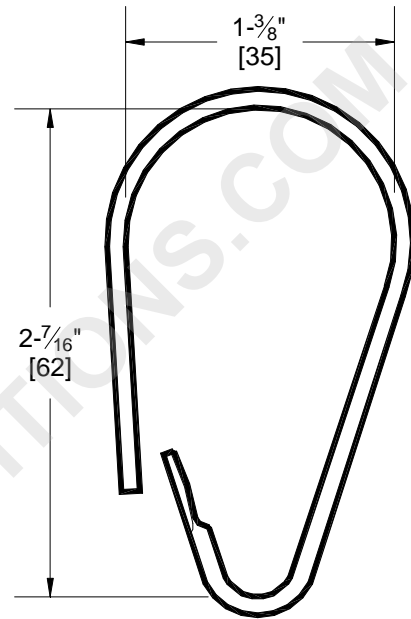
ISSUED: 01-87

REVISED: 01-08

## STAINLESS STEEL SHOWER CURTAIN HOOK



HOOK IN CLOSED POSITION



HOOK IN OPEN POSITION

NOTE: ALL DIM'S  
ARE INCH [MM]

### SPECIFICATION

Shower Curtain Hook shall be fabricated of type 304 stainless steel alloy 18-8. Solid formed wire shall be .098" diameter ( $\text{Ø}2.5$ ) with a bright finish. Hook shall have a formed retainer to hold free end closed and shall accommodate 1" to 1-1/4" diameter ( $\text{Ø}25$  to  $\text{Ø}32$ ) curtain rods.

**Stainless Steel Shower Curtain Hook shall be Model N° 1200-SHU of American Specialties, Inc., Yonkers, NY 10701-4913**

### INSTALLATION

Open hook and slip over shower curtain rod (specified separately). Hang shower curtain (specified separately) on small hook. Close hook free end into retainer on hook end.

### OPERATION

Grasping hook in both hands, use the thumb of one hand to push the hanger hook in and to one side. Release thumb pressure allowing top hook to bypass and extend over the bottom hook. Slip the hook over the shower curtain rod (specified separately). After hanging shower curtain (specified separately) use thumb pressure to replace the free leg of the hook onto the bottom hook leg-retainer.