



AMERICAN SPECIALTIES, INC.

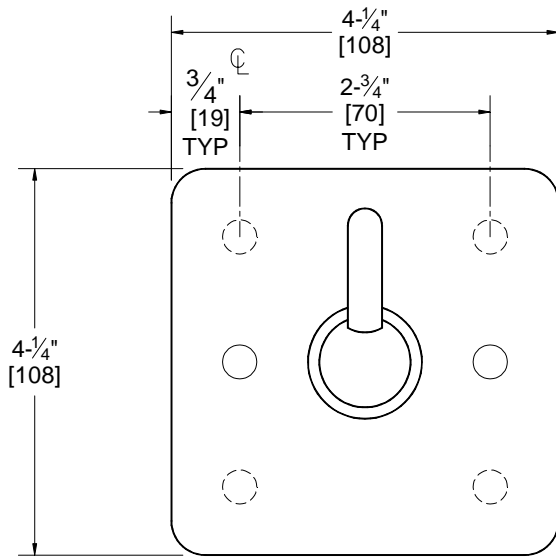
441 Saw Mill River Road, Yonkers, NY 10701 (914) 476-9000
www.americanspecialties.com

MODEL No: 122

ISSUED: 01-87

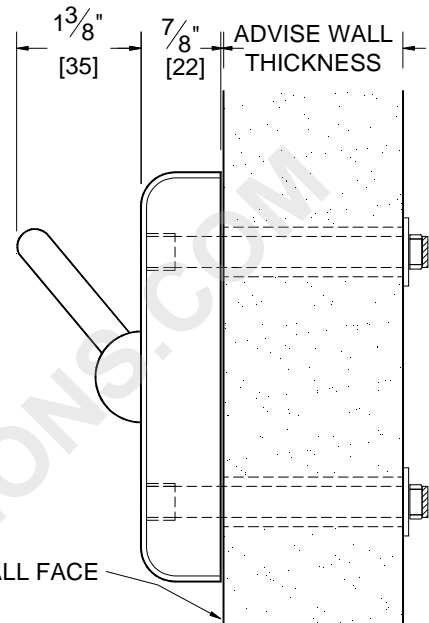
REVISED: 01-08

SECURITY CLOTHES HOOK - REAR MOUNTED



ELEVATION

NOTE: DIM'S ARE IN INCH [MM]



SIDE VIEW

SPECIFICATION

Rear Mounted Security Clothes Hook Shall be fabricated of type 304 stainless steel alloy 18-8. Hook shall be solid bar 3/8" diameter (Ø10) of one-piece construction with 1" diameter (Ø25) swivel trip-ball and wall plate shall be 14 gauge. Wall plate shall have four (4) welded-on rear mounted 1/4-20 internally-threaded posts that shall receive 1/4-20 threaded zinc-plated steel studs (supplied) of length specified to suit field conditions and shall include washers and nuts. Safety hook shall snap down when load exceeds 35 lb (16 kg) limit. Trip-ball socket housing shall prevent hook from being set in vertical-up position. All exposed surfaces shall have N° 4 satin finish.

Rear Mounted Security Clothes Hook shall be Model N° 122 of American Specialties Inc., 441 Saw Mill River Road, Yonkers, New York 10701-4913

INSTALLATION

Unit is rear mounted to wall or partition using four (4) 1/4-20 threaded studs, washers and nuts (supplied). For compliance with ADA Accessibility Guidelines install unit so the centerline of the hook is 48" (1219) MAX AFF (maximum above finished floor). Unit is supplied as standard with threaded studs suitable for mounting on walls up to 6" (152) thick. Other wall thickness over 6" (152) must be specified in chart for fabrication of adequate length studs. Locate and drill 3/8" to 7/16" diameter (Ø10- Ø11) holes through wall or partition to install threaded studs from rear.

Indicate thickness of wall with check mark ✓ and specify length if over 8" (203)

Up to 6" (152)	8" (203)	Over 8" (203)	Specify W = _____ Inches
----------------	----------	---------------	--------------------------

OPERATION

Clothes hook is tensioned to release down when overloaded beyond the 35 lb (16 kg) limit.

Accessory Specialties

AMERICAN DISPENSER

Desert Ray Products

WATROUS INC.