



AMERICAN SPECIALTIES, INC.

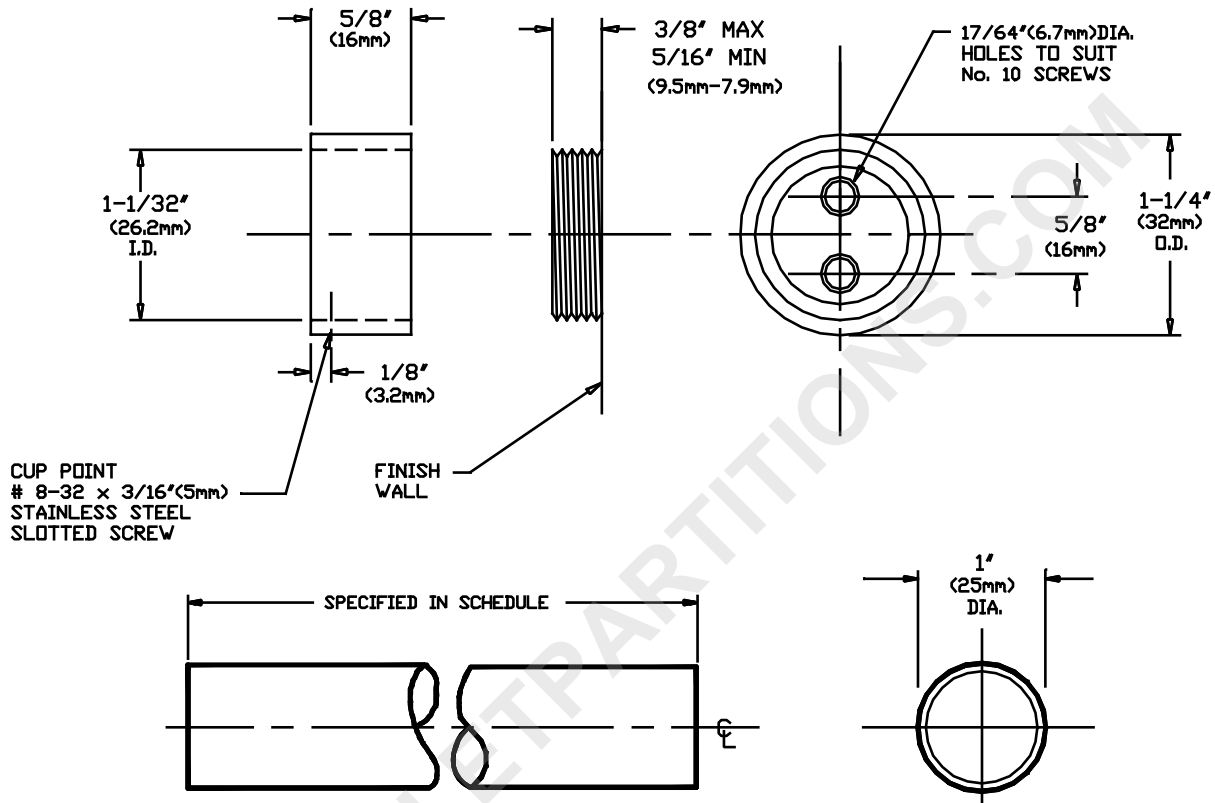
441 Saw Mill River Road, Yonkers, NY 10701 (914) 476-9000

MODEL No: 1224

ISSUED: 1-87

REVISED: 3-99

SHOWER CURTAIN ROD WITH CONCEALED MOUNTING FLANGES



SPECIFICATION

Shower Curtain Rod with Concealed Mounting Flanges shall have rod fabricated of alloy 18-8 stainless steel, type 304, №20 gauge 1" dia. tubing. Exposed finish shall be satin and shall be protected during shipment with a plastic bag. Length shall be as specified. Concealed Mounting Flanges shall be chrome plated brass with a satin finish. Pair of flanges shall each consist of a wall mounting lug and a locking sleeve. One sleeve shall have locking screw to prevent rod rotation. Mounting lugs shall be provided with (2) mounting holes to accept #10 round or pan head screws (furnished by others).

Shower Curtain Rod with Concealed Mounting Flanges shall be Model № 1224-XXX as fabricated by American Specialties, Inc., 441 Saw Mill River Road, Yonkers, New York 10701-4913

ORDERING NOTE

Select length in inches (i.e. 48, 60, 120) to create Part Spec Order Number (i.e. 1224-60).

INSTALLATION

Rod is installed in straight section between two (2) mounting flanges. Rods longer than 72" (1829mm) require ceiling hanger Model №1224-C18. For use with standard shower curtain model №'s 1200 or 1200-V having 72" (1829mm) length and standard hooks Model №1200-SHU unit should be installed with rod centerline 74-1/2" (1892mm) AFF or 67" (1702mm) above tub rim to obtain 6" (152mm) bottom overlap.

Accessory Specialties

AMERICAN DISPENSER

Desert Ray Products

WATROUS INC.