

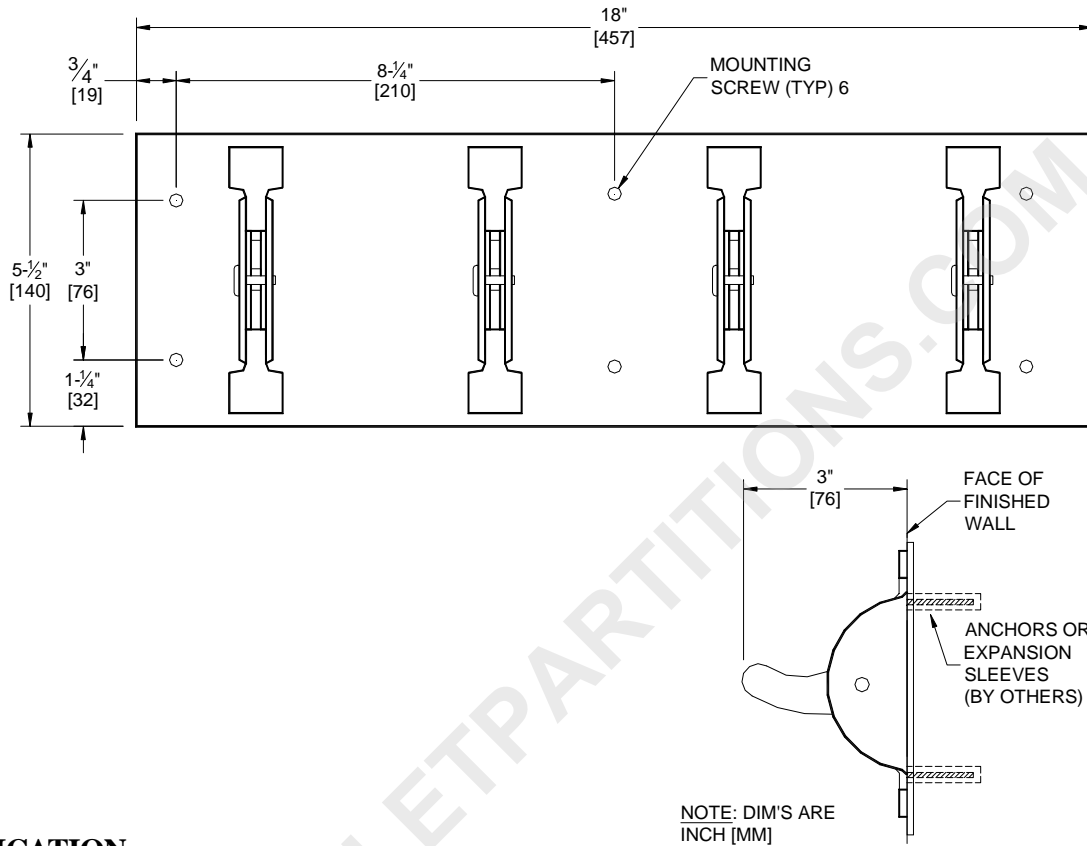


AMERICAN SPECIALTIES, INC.

441 Saw Mill River Road, Yonkers, NY 10701 (914) 476-9000
www.americanspecialties.com

| | |
|-----------|-------|
| MODEL No: | 127 |
| ISSUED: | 01-87 |
| REVISED: | 07-08 |

SECURITY CLOTHES HOOK - FRONT MOUNTED



SPECIFICATION

Front Mounted Security Clothes/Towel Hook Strip shall be fabricated of type 304 stainless steel alloy 18-8. Hooks shall be 7 gauge, brackets shall be 11 gauge and wall plate shall be 14 gauge. Wall plate shall have six (6) mounting holes for 1/4-20 button head pin-Torx[®] machine screws (supplied). Safety hook tension is adjustable by means of a captive round head stainless steel spanner screw. Hooks shall smoothly drop down when load exceeds 35 lb (16 kg) limit when correctly set. Hook geometry and bracket shall prevent hooks from being set in vertical-up position. All exposed surfaces shall have N^o 4 satin finish.

Front Mounted Security Clothes/Towel Hook Strip shall be Model N^o 127 of American Specialties Inc., 441 Saw Mill River Road, Yonkers, New York 10701-4913

INSTALLATION

Unit is front mounted to wall or partition using six (6) 1/4-20 x 2" (M6 x 50) button head pin-Torx[®] machine screws (supplied) into suitable anchors (by others) or alternate wall preparation (by others). Anchors to be supplied by installer to suit wall condition. For compliance with ADA Accessibility Guidelines, install unit so the top of the hooks are 48" (1219) maximum above finished floor (MAX AFF).

OPERATION

Clothes/towel hooks will release down when overloaded beyond the 35 lb (16 kg) limit. Hook tension may be adjusted to maintain trip threshold over the life of the product.