



Model 1981 — Multi-Purpose Unit

- For Installation behind wall or mirror

Product Materials

CABINET: 22 gauge stainless steel.

TOWEL TRAY: 22 gauge stainless steel.

TOWEL DISPENSER: 22 gauge stainless steel piano hinge and tumbler lock keyed like other Bradley units. Rolled edge on dispenser opening.

Capacity

Towel Dispenser — 800 multi-fold or 600 C-fold paper towels.

Operation

Towel dispenser holds multi-fold or C-fold towels without use of special adapter. Lock secures hinged towel dispenser lip, which opens for refilling from bottom.

Installation

Verify all rough-in dimensions prior to installation. Requires rough wall opening 12½"W x 18½"H x 4"D. Install cabinet prior to installation of wall surface or mirror. Secure to framing with mounting screws (included) at holes provided. Shim at screw points as required.

Guide Specification

Verify all rough-in dimensions prior to installation. Recessed towel dispenser (for behind wall or mirror installation) shall be fabricated of stainless steel with exposed surfaces in satin finish. Towel dispenser with piano hinge and tumbler lock. Towel dispenser capacity 800 multi-fold or 600 C-fold towels.

Overall dimensions: 12"W x 19½"H x 4"D.

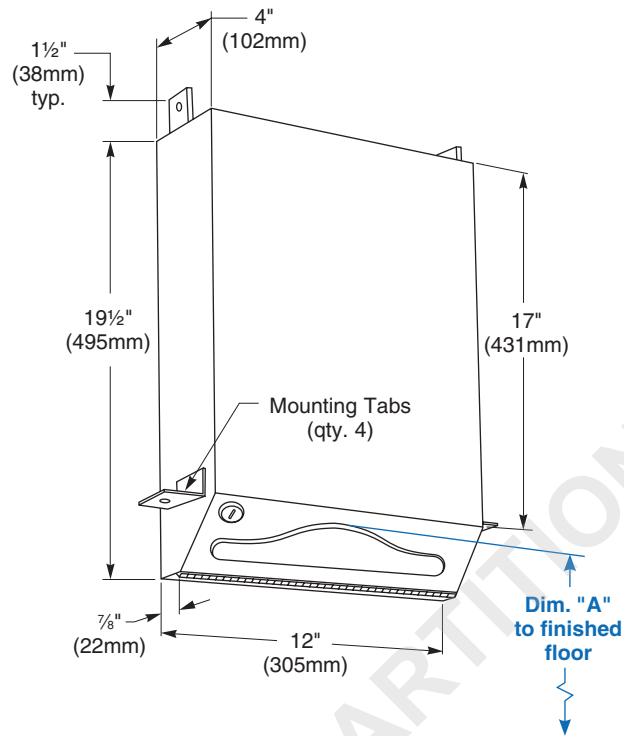
ADA Compliant

- Consult local and national accessibility codes for proper installation guidelines.
- Conformity and compliance to local and national codes is the responsibility of the installer.





Dimensions



| Dim. "A" Key Surface: | For Dim. "A" | Top of Rough Wall Opening | Bottom of Rough Wall Opening |
|--|---|---------------------------|------------------------------|
| Paper towel top of opening to finished floor | 48" (1219mm) | 65½" (1664mm) | 47" (1194mm) |
| | 45" (1143mm) | 62½" (1588mm) | 44" (1118mm) |
| | 42" (1067mm) | 59½" (1511mm) | 41" (1041mm) |
| | 40" (1016mm) | 57½" (1461mm) | 39" (991mm) |
| Rough wall opening: | | | |
| Recessed: | 12½" (318mm) Wide x 18½" (470mm) High x 4" (102mm) Deep | | |