



- Model 346 — Recessed**  
(Waste container projects 2¾")
- Model 346-10 — Semi-Recessed**  
(recesses 4"; projects 4¾")
- Model 346-11 — Surface-Mounted**  
(projects 8¾")
- Standard Series — Satin Finish
- 12-Gallon Capacity

### Product Materials

**FLANGE:** 22 gauge stainless steel with exposed surfaces in architectural satin finish. One-piece seamless construction, 1" wide with ¼" return.

**CABINET:** heavy gauge stainless steel. All welded construction.

**WASTE CONTAINER:** 22 gauge stainless steel. All welded construction. Secured to cabinet with tumbler lock keyed like other Bradley units.

**LINER:** (optional) heavy-duty stitched vinyl-coated nylon.

**HINGED COVER:** (optional) 22 gauge stainless steel with exposed surfaces in architectural satin finish. Heavy-duty stainless steel piano hinge.

**PUSH FLAP DOOR:** (optional) 22 gauge stainless steel with exposed surfaces in architectural satin finish. Heavy-duty stainless steel piano hinge. Self-closing flap door is embossed PUSH.

### Capacity

12 gal. (1.6 cu. ft.)

### Operation

Receptacle removable for servicing by unlocking waste container.

### Installation

Verify all rough-in dimensions prior to installation. Recessed unit requires rough wall opening 15½"W x 29½"H x 6"D (Semi-recessed unit only 4" deep). Secure to framing with mounting screws (included) at holes provided. Shim at screw points as required.

### Guide Specification

Recessed waste receptacle shall be fabricated of heavy gauge stainless steel with seamless exposed surfaces in satin finish. Removable 12-gal. stainless steel waste receptacle. Heavy-duty vinyl liner is optional. Receptacle secured to cabinet with tumbler lock.

**Overall dimensions: 17½"W x 30½"H x 8¾"D.**



### Optional Features

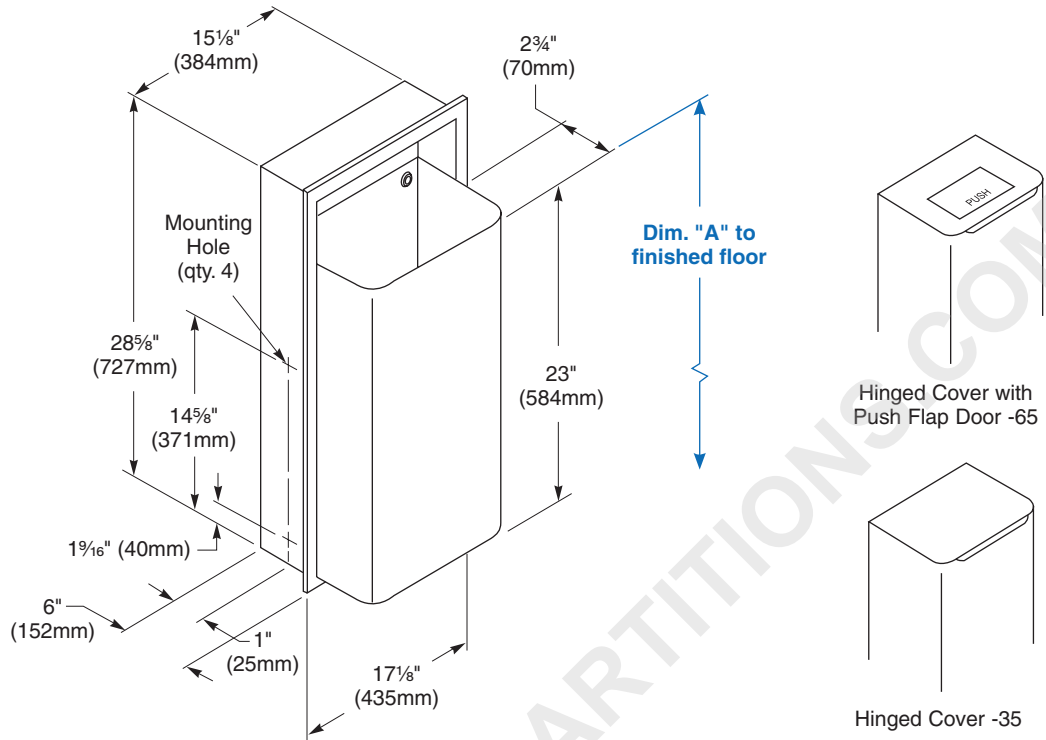
| Feature   | Suffix |
|---|--------|
| <input type="checkbox"/> Hinged cover                     | -35    |
| <input type="checkbox"/> Hinged cover with push flap door | -65    |
| <input type="checkbox"/> Vinyl Liner Part #P11-004        |        |

### ADA Compliant

- Consult local and national accessibility codes for proper installation guidelines.
- Conformity and compliance to local and national codes is the responsibility of the installer.



Dimensions



| Dim. "A" Key Surface:                      | For Dim. "A"  | Top of Rough Wall Opening | Bottom of Rough Wall Opening |
|--|---|---------------------------|------------------------------|
| Waste receptacle top lip to finished floor | 36" (914mm)   | 41 3/4" (1060mm)          | 12 5/8" (321mm)              |
|  | 32" (813mm)   | 37 3/4" (959mm)           | 8 5/8" (219mm)               |
|  | 28" (711mm)   | 33 3/4" (857mm)           | 4 5/8" (117mm)               |
| <b>Rough wall opening:</b>                 |   |                           |                              |
| Surface Mount:                             | No rough opening, see overall dimensions                      |                           |                              |
| Recessed:                                  | 15 5/8" (397mm) Wide x 29 1/8" (740mm) High x 6" (152mm) Deep |                           |                              |
| Semi-Recessed:                             | 15 5/8" (397mm) Wide x 29 1/8" (740mm) High x 4" (102mm) Deep |                           |                              |