

Model 355W — Surface-Mounted

- 20.6-gallon Capacity

Product Materials

RECEPTACLE: 22 gauge stainless steel with exposed surfaces in architectural satin finish. All welded construction with rounded front corners. Wave pattern accent.

LINER: (optional) heavy-duty stitched vinyl-coated nylon.

Capacity

20.6 gal. (2.8 cu. ft.)

Operation

Optional vinyl liner is attached to receptacle with hook-and-loop fasteners, easily removed for servicing.

Installation

Verify all rough-in dimensions prior to installation. Secure to wall with mounting screws (included) at holes provided.

Optional Features

Feature
<input type="checkbox"/> Vinyl Liner Part #P11-004

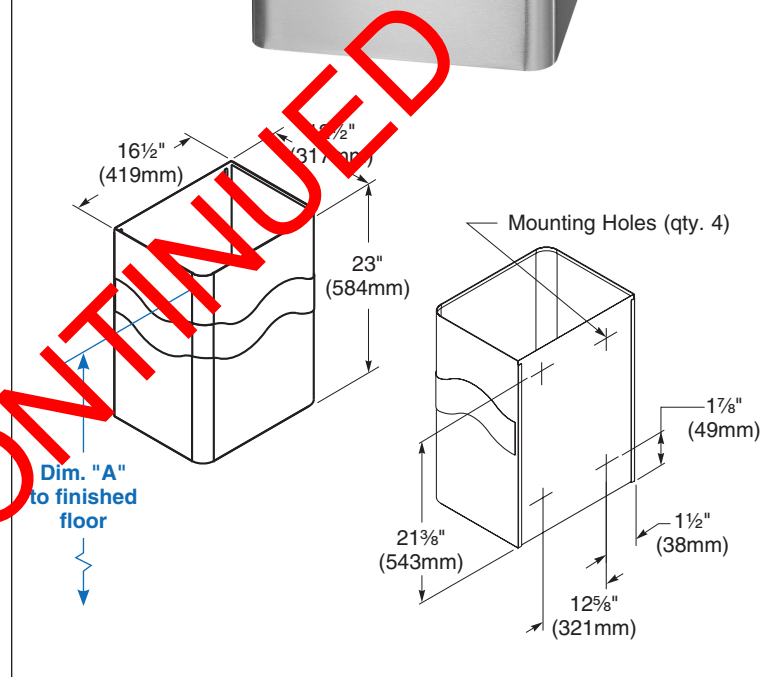
Guide Specification

Surface-mounted waste receptacle shall be fabricated of stainless steel with seamless exposed surfaces in satin finish. Reuseable heavy-duty vinyl liner (optional). Capacity is 20.6 gal. Wave pattern accent.

Overall dimensions: 16½"W x 23"H x 12½"D.

ADA Compliant

- Consult local and national accessibility codes for proper installation guidelines.
- Conformity and compliance to local and national codes is the responsibility of the installer.



DISCONTINUED

Dim. "A" Key Surface:	For Dim. "A"	Top of Unit	Bottom of Unit
Waste receptacle top lip to finished floor	36" (914mm)	36" (914mm)	13" (330mm)
	32" (813mm)	32" (813mm)	9" (229mm)
	28" (711mm)	28" (711mm)	5" (127mm)
Rough wall opening:			
Surface Mount:	No rough wall opening, see overall dimensions		

**Washroom Accessories
Document No. 8312**