



Model 508 Bradex®

- Non-Controlled Delivery
- Single Roll

Product Materials

UNIT: chrome-plated cast brass.
SPINDLE: chrome-plated plastic.

Capacity

One standard core toilet tissue roll through 5½" in diameter.

Operation

Concealed spring permits spindle to telescope for servicing.
 Spindle turns freely for non-controlled delivery.

Installation

Verify all rough-in dimensions prior to installation. Secure concealed wall mounting brackets to wall with screws (included) at holes provided. Slide escutcheons and posts over projecting pins on mounting brackets and secure with concealed set screw.

Optional Features

Feature	Suffix
<input type="checkbox"/> Anti-theft spindle	-52

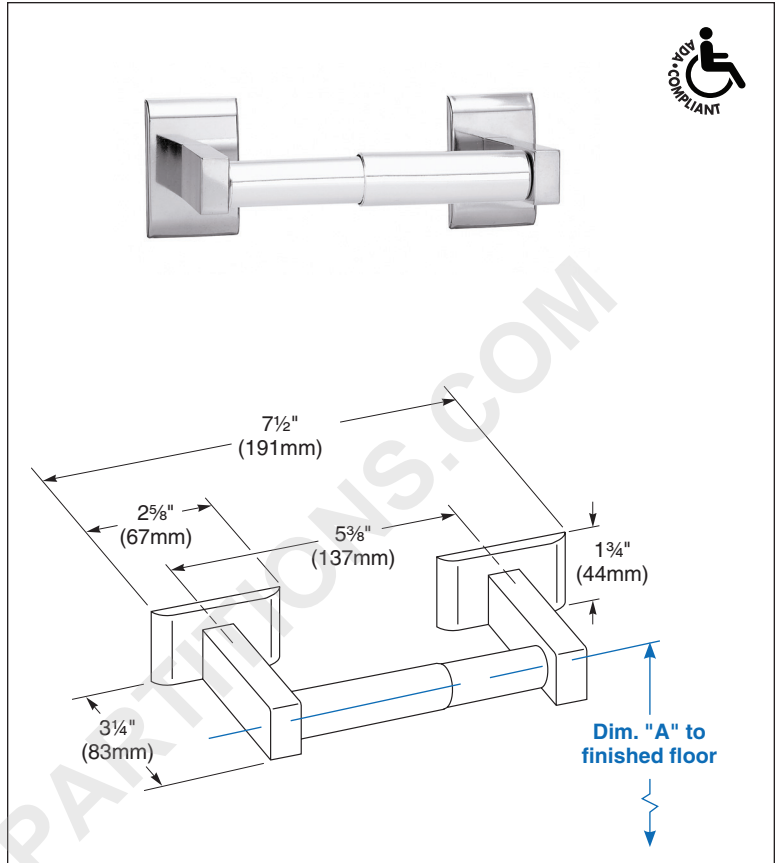
Guide Specification

Surface-mounted single roll toilet tissue dispenser shall be chrome-plated cast brass and hold one standard core toilet tissue roll.

Overall dimensions: 7½"W x 1¾"H x 3¼"D.

ADA Compliant

- Consult local and national accessibility codes for proper installation guidelines.
- Conformity and compliance to local and national codes is the responsibility of the installer.



Dim. "A" Key Surface:	For Dim. "A"	Top of Unit	Bottom of Unit
Centerline of spindle to finished floor (bottom edge of paper roll 3" below centerline of spindle)	23" (584mm)	23¾" (603mm)	22" (559mm)
	22" (559mm)	22¾" (578mm)	21" (533mm)
	21" (533mm)	21¾" (552mm)	20" (508mm)
	20" (508mm)	20¾" (527mm)	19" (483mm)
	19" (483mm)	19¾" (502mm)	18" (457mm)
	18" (457mm)	18¾" (476mm)	17" (432mm)
Rough wall opening:			
Surface Mount:	No rough opening, see overall dimensions		