



# 5084, 5085 Toilet Tissue Dispenser

- Model 5084 — Satin Stainless Steel **Bradex**<sup>®</sup>
- Model 5085 — Bright Polish **Bradex**<sup>®</sup>

- Non-Controlled Delivery
- Single Roll (For Dual Roll see Models 5234 and 5235)

## Product Materials

**POSTS:** 22 gauge stainless steel with exposed surfaces in architectural satin finish (Model 5084) or bright polish finish (Model 5085).

**ESCUTCHEONS:** heavy stainless steel with exposed surfaces in architectural satin finish (Model 5084) or bright polish finish (Model 5085).

**SPINDLE:** chrome-plated plastic.

**MOUNTING BRACKET:** 18 gauge stainless steel.

## Capacity

One standard core toilet tissue roll through 5½" in diameter.

## Operation

Concealed spring permits spindle to telescope for servicing. Spindle turns freely for non-controlled delivery.

## Installation

Verify all rough-in dimensions prior to installation. Secure concealed wall mounting brackets to wall with screws (included) at holes provided. Mount projecting arms and escutcheons to bracket and secure with concealed locking screw. Snap escutcheons into place.

## Guide Specification

**Model 5084:** Surface-mounted single roll toilet tissue dispenser shall be heavy gauge stainless steel with satin finish and hold one standard core toilet tissue roll.

**Model 5085:** Surface-mounted single roll toilet tissue dispenser shall be heavy gauge stainless steel with bright polish finish and hold one standard core toilet tissue roll.

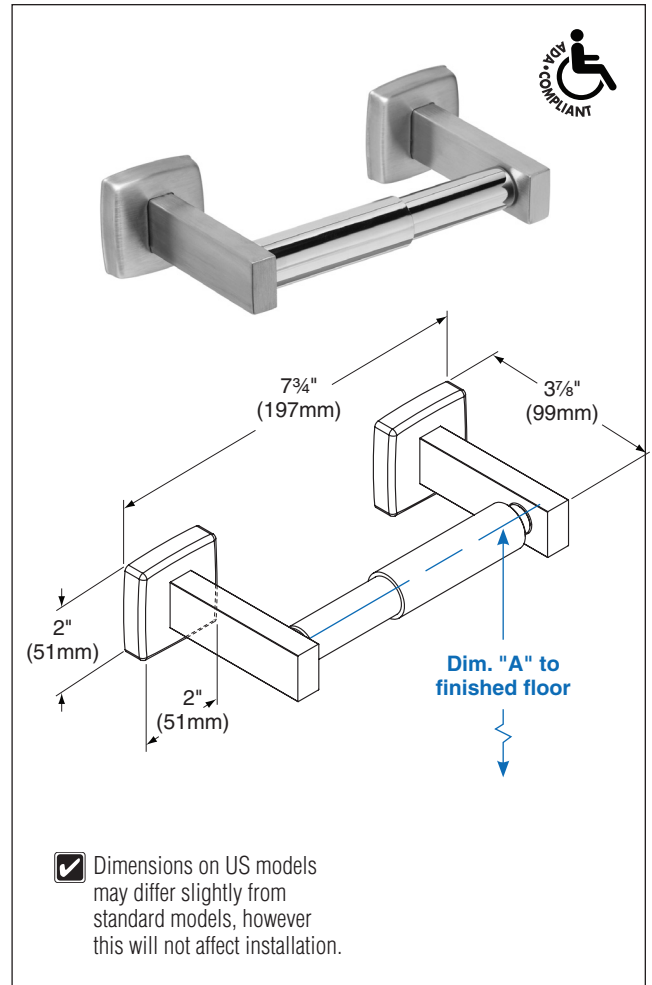
**Overall dimensions:** 7¾"W x 2"H x 3⅝"D.

## Optional Features

Feature	Suffix
<input type="checkbox"/> Anti-theft spindle	-52
<input type="checkbox"/> Domestic 5084	-US

## ADA Compliant

- Consult local and national accessibility codes for proper installation guidelines.
- Conformity and compliance to local and national codes is the responsibility of the installer.



Dim. "A" Key Surface:	For Dim. "A"	Top of Unit	Bottom of Unit
Centerline of spindle to finished floor (bottom edge of paper roll 3" below centerline of spindle)	23" (584mm)	24" (610mm)	22" (559mm)
	22" (559mm)	23" (584mm)	21" (533mm)
	21" (533mm)	22" (559mm)	20" (508mm)
	20" (508mm)	21" (533mm)	19" (483mm)
	19" (483mm)	20" (508mm)	18" (457mm)
	18" (457mm)	19" (483mm)	17" (432mm)
<b>Rough wall opening:</b>			
Surface Mount:	No rough opening, see overall dimensions		

Orders composed of products indicated as **Bradex**<sup>®</sup> will be available to ship in three days after receipt of order at the factory. There is no pricing penalty for this service from Bradley.