



**Model 5106 (Bright Polished Finish) —  
Bradex®**

**Model 5107 (Satin Finish)**

- Surface-Mounted
- Hinged Hood
- Non-Controlled Delivery
- Single Roll (For Dual Roll see Model 5126)

### Product Materials

**HOUSING AND HOOD:** bright polished stainless steel (5106) or satin stainless steel (5107).

**SPINDLE:** chrome-plated plastic. Toilet tissue roll not included.

### Capacity

One standard core toilet tissue roll through 5½" in diameter.

### Operation

Concealed spring permits spindle to telescope for servicing. Spindle turns freely for non-controlled delivery. Hinged hood prevents unintentional unravelling while keeping top tissue surface clean. Hinged hood is not removable.

### Installation

Verify all rough-in dimensions prior to installation. Secure to wall with mounting screws (included) at holes provided.

### Guide Specifications

Surface-mounted roll toilet tissue dispenser with hinged hood shall be bright polished stainless steel and hold one standard core toilet tissue roll (not included).

**Overall dimensions: 6¾"W x 6¾"H.**



### Optional Features

Feature	Suffix
<input type="checkbox"/> Anti-theft spindle	-52

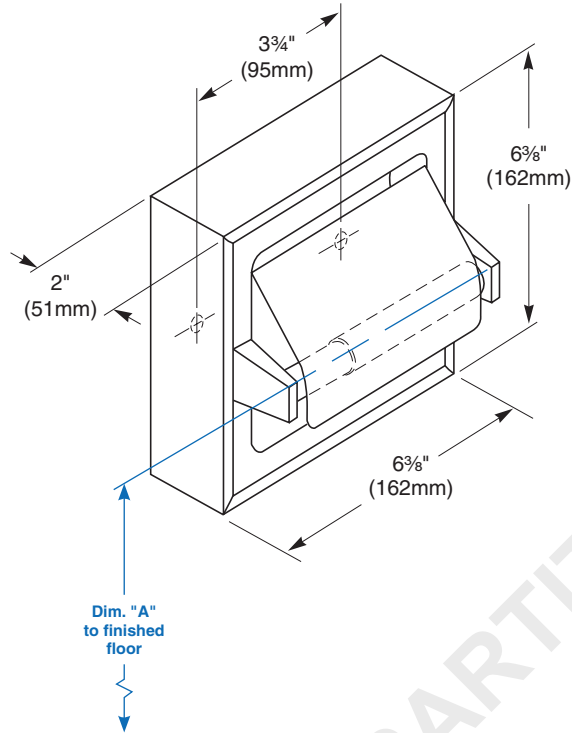
### ADA Compliant

- Consult local and national accessibility codes for proper installation guidelines.
- Conformity and compliance to local and national codes is the responsibility of the installer.

Orders composed of products indicated as **Bradex®** will be available to ship in three days after receipt of order at the factory. There is no pricing penalty for this service from Bradley.



**Dimensions**



<b>Dim. "A" Key Surface:</b>	For Dim. "A"	Top of Unit	Bottom of Unit
Centerline of spindle to finished floor (bottom edge of paper roll 3" below centerline of spindle)	23" (584mm)	26" (660mm)	19 5/8" (498mm)
	22" (559mm)	25" (635mm)	18 5/8" (473mm)
	21" (533mm)	24" (610mm)	17 5/8" (448mm)
	20" (508mm)	23" (584mm)	16 5/8" (422mm)
	19" (483mm)	22" (559mm)	15 5/8" (397mm)
	18" (457mm)	21" (533mm)	14 5/8" (371mm)

Orders composed of products indicated as **Bradex**® will be available to ship in three days after receipt of order at the factory. There is no pricing penalty for this service from Bradley.