



**Model 523**

- Non-Controlled Delivery
- Double Roll (For Single Roll see Model 508-32)

**Product Materials**

**BRACKETS:** die cast virgin zinc (Zamac) alloy; copper and nickel-plated with highly polished chrome finish.  
**MOUNTING BRACKET:** heavy plated steel.  
**SPINDLES:** chrome-plated plastic.

**Capacity**

Two standard core toilet tissue rolls through 4½" in diameter.

**Operation**

Concealed spring permits spindle to telescope for servicing. Spindle turns freely for non-controlled delivery.

**Installation**

Verify all rough-in dimensions prior to installation. Secure concealed mounting brackets to wall with screws (included). Slip support arms over brackets and secure with concealed set screws.

**Guide Specification**

Surface-mounted dual roll toilet tissue dispenser shall be copper and nickel-plated die cast Zamac with highly polished chrome finish. Dispenser shall have separate wall mounting bracket and hold two standard core toilet tissue rolls.

**Overall dimensions: 14"W x 1 13/16"H x 3 1/8"D.**



**Optional Features**

Feature	Suffix
<input type="checkbox"/> Anti-Theft Spindle	-52

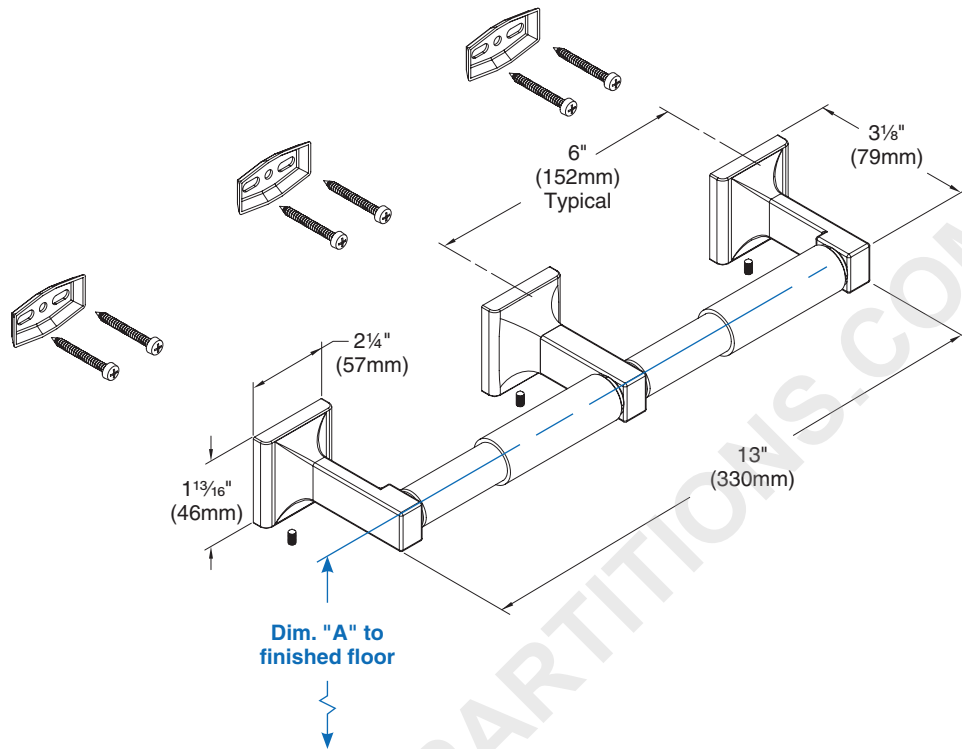
**ADA Compliant**

- Consult local and national accessibility codes for proper installation guidelines.
- Conformity and compliance to local and national codes is the responsibility of the installer.

WWW.TOILETPARTITIONS.COM



Dimensions



<b>Dim. "A" Key Surface:</b>	For Dim. "A"	Top of Unit	Bottom of Unit
Centerline of spindle to finished floor (bottom edge of paper roll 3" below centerline of spindle)	23" (584mm)	23 <sup>3</sup> / <sub>4</sub> " (603mm)	21 <sup>7</sup> / <sub>8</sub> " (556mm)
	22" (559mm)	22 <sup>3</sup> / <sub>4</sub> " (578mm)	20 <sup>7</sup> / <sub>8</sub> " (530mm)
	21" (533mm)	21 <sup>3</sup> / <sub>4</sub> " (552mm)	19 <sup>7</sup> / <sub>8</sub> " (505mm)
	20" (508mm)	20 <sup>3</sup> / <sub>4</sub> " (527mm)	18 <sup>7</sup> / <sub>8</sub> " (479mm)
	19" (483mm)	19 <sup>3</sup> / <sub>4</sub> " (502mm)	17 <sup>7</sup> / <sub>8</sub> " (454mm)
	18" (457mm)	18 <sup>3</sup> / <sub>4</sub> " (476mm)	16 <sup>7</sup> / <sub>8</sub> " (429mm)
<b>Rough wall opening:</b>			
Surface Mount:	No rough opening, see overall dimensions		