



Model 6322

- Pump-Type Valve
- 2½" Spout, 4¾" Shank
- ADA Compliant

Product Materials

PLUNGER AND SPOUT: stainless steel. Takes less than 5 lbs. of force to activate plunger.

ESCUTCHEON: heavy chrome-plated brass.

SHANK: molded ABS plastic.

VALVE CYLINDER: molded clear ABS plastic.

VALVE COMPONENTS: Celcon, Buna-N rubber or stainless steel.

PLASTIC GLOBE: translucent polyethylene.

Operation

Depress piston for measured amount of liquid soap. Fills from top by unlocking and withdrawing piston and spout assembly using special wrench provided. The 6322 will dispense vegetable or coconut oil liquid soaps, synthetic detergents, and antiseptic solutions in a liquid form. Spout is fixed. Less than 5 lbs. force to activate.

- Bradley liquid soap valves operate best with any vegetable oil or coconut oil hand soap having a 10–15% soap concentration.

Installation

Verify all rough-in dimensions prior to installation. Mount dispenser in 1" diameter hole in lavatory or countertop. Include dispenser mounting hole location in lavatory specifications or mount in unused faucet hole. Shank will accommodate a max. 3½" mounting thickness and can be cut in the field.

Optional Features

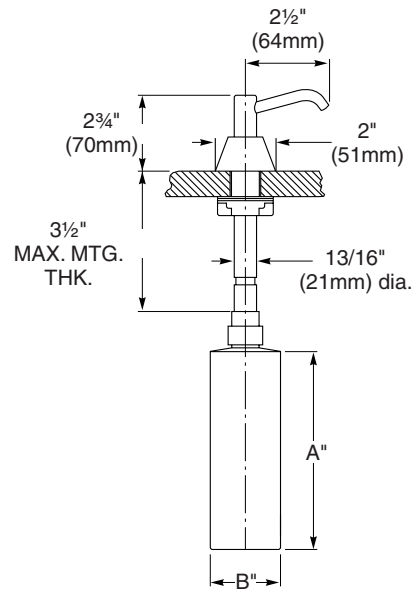
Feature	Suffix
<input type="checkbox"/> Plastic globe 32 oz.	-68

Guide Specification

Lavatory-mounted liquid soap dispenser manufactured of stainless steel, chrome-plated brass and molded ABS plastic. Buna-N O-ring seals and duckbills. Valve dispenses measured amount of vegetable or coconut oil, liquid soap, synthetic detergents, or antiseptic solutions. Servicing is facilitated by use of special wrench. Requires less than 5 lbs. of force to activate.

ADA Compliant

- Consult local and national accessibility codes for proper installation guidelines.
- Conformity and compliance to local and national codes is the responsibility of the installer.



DIMENSIONS			
Model	A	B	Capacity
6322	7 1/8" (181mm)	2 1/2" (64mm)	16 oz.
6322-68	8 15/16" (227mm)	3 1/4" (83mm)	32 oz.