



- Standard Series — Satin Finish
- Recessed
- ADA Compliant

Product Materials

FLANGE: 22 gauge stainless steel with exposed surfaces in architectural satin finish. One-piece seamless construction, 1" wide with beveled edges.

CABINET: heavy gauge stainless steel.

SOAP VESSEL: 22 gauge stainless steel with exposed surfaces in architectural satin finish. Tumbler lock keyed like other Bradley units.

SOAP VESSEL LINER: plastic.

SOAP VALVE: chrome-plated brass with ABS mechanism. Requires less than 5 lbs. of force to dispense soap.

Capacity

32-oz. liquid soap.

Operation

Soap dispenser slides open for filling and cleaning. Sight gauge indicates refill time. Valve dispenses measured amount of liquid soap. Requires less than 5 lbs. of force to dispense soap.

- Bradley liquid soap valves operate best with any vegetable oil or coconut oil hand soap having a 10–15% soap concentration.

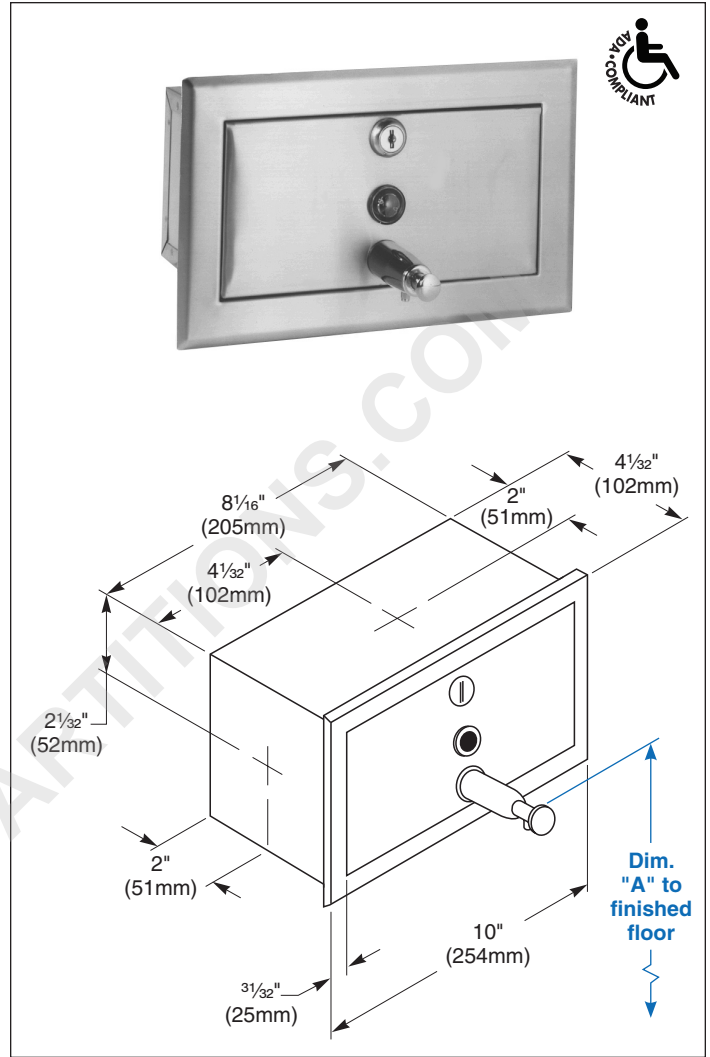
Installation

Verify all rough-in dimensions prior to installation. Requires rough wall opening 8½"W x 4½"H x 4"D. Secure to framing with mounting screws (included) at holes provided. Shim at screw points as required.

Guide Specification

Recessed liquid soap dispenser shall be fabricated of 22 gauge stainless steel with exposed surfaces in satin finish. Requires less than 5 lbs. force to dispense soap. Capacity: 32-oz. liquid soap.

Overall dimensions: 10"W x 6"H x 4"D.



ADA Compliant

- Consult local and national accessibility codes for proper installation guidelines.
- Conformity and compliance to local and national codes is the responsibility of the installer.

Dim. "A" Key Surface:	For Dim. "A"	Top of Rough Wall Opening	Bottom of Rough Wall Opening
Push button top to finished floor	40" (1016mm)	43 3/4" (1099mm)	38 3/4" (984mm)
	38" (965mm)	41 1/4" (1048mm)	36 3/4" (933mm)
	36" (914mm)	39 1/4" (997mm)	34 3/4" (883mm)
	34" (864mm)	37 1/4" (946mm)	32 3/4" (832mm)
Rough wall opening:			
Recessed:	8 1/2" (216mm) Wide x 4 1/2" (115mm) High x 4" (102mm) Deep		