



**Fold-down utility shelf:**

**Model 790 – Surface-mounted**

**Product Materials**

**SHELF AND MOUNTING BRACKET:** heavy-duty zinc die casting with chrome-plated finish. Shelf has textured non-slip surface.

**Operation**

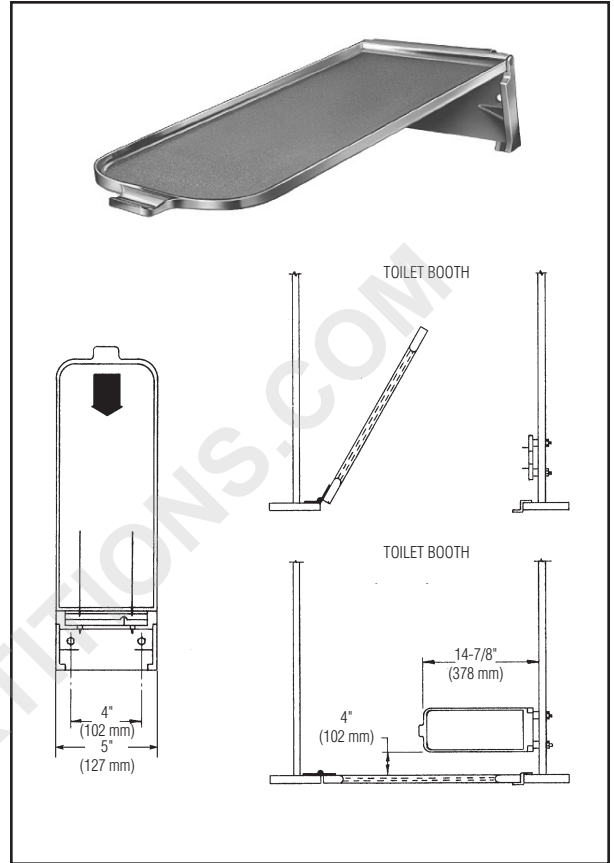
Hinged shelf stores in vertical position, folds down for use. Automatically returns to upright position when objects are removed. Holds up to 150 pounds.

**Installation**

Verify all rough-in dimensions prior to installation. Secure to wall or partition with mounting screws (included) at holes provided. Position in line of travel of toilet compartment door. Allow 14<sup>7</sup>/<sub>8</sub>" vertical clearance for storage.

**Guide Specification**

Fold-down utility shelf shall be fabricated of chrome-plated heavy-duty zinc die cast with textured shelf area. Shelf shall automatically return to upright position after use.



WWW.TOILETPARTITIONS.COM