



**AMERICAN SPECIALTIES, INC.**

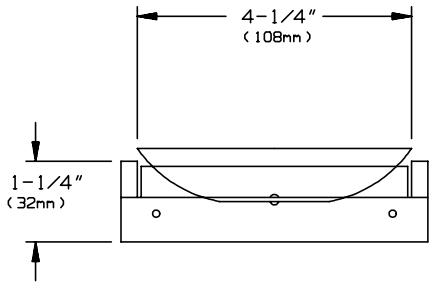
441 Saw Mill River Road, Yonkers, NY 10701 (914) 476-9000

MODEL No: 8091

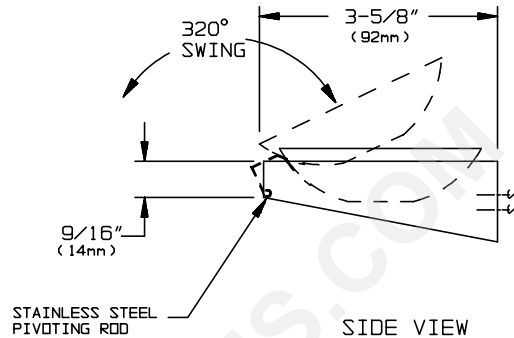
ISSUED: 1-87

REVISED: 9-04

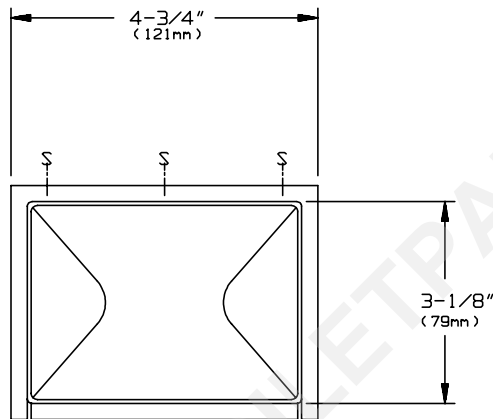
**FLIP-TOP ASHTRAY**



ELEVATION



SIDE VIEW



TOP VIEW

**SPECIFICATION**

Flip-Top Ashtray shall be fabricated of alloy 18-8 stainless steel, type 304, 18 gauge. All exposed surfaces shall be N°4 satin finish. Ashtray shall be attached to front of bracket with a stainless steel pivot hinge. Mounting bracket shall be provided with three (3) 7/32" (5.6mm) dia. holes to accommodate mounting screws.

**Flip-Top Ashtray shall be Model N° 8091 as manufactured by American Specialties Inc., 441 Saw Mill River Road Yonkers, New York 10701- 4913**

**INSTALLATION**

Unit is surfaced mounted to wall or partition using N°10 self-tapping screws (by others) through three (3) mounting holes (provided). For compliance with ADA Accessibility Guidelines, unit should be installed with ashtray top 54" (1372mm) maximum above finished floor (AFF) if clear floor side reach access is provided or 48" (1219mm) maximum AFF if clear floor forward reach access is provided or 46" (1168mm) maximum AFF if side reach over an obstruction (i.e. vanity) is only provided. For general utility unit should be installed so that ashtray top is 32" (813mm) to 45" (1143mm) AFF.

**OPERATION**

Flip-Top Ashtray pivot rod permits 320° rotation, allowing for manual disposal of waste and service cleaning on a cycle determined by maintenance needs.

**Accessory Specialties**

**AMERICAN DISPENSER**

**Desert Ray Products**

**WATROUS inc.**