



**AMERICAN SPECIALTIES, INC.**

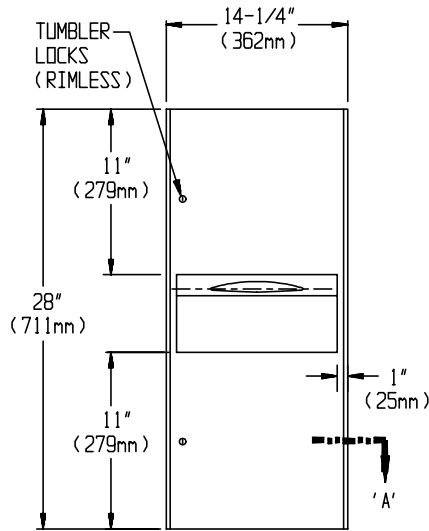
441 Saw Mill River Road, Yonkers, NY 10701 (914) 476-9000

MODEL No: 94623

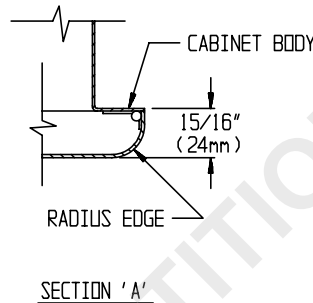
ISSUED: 1-87

REVISED: 9-04

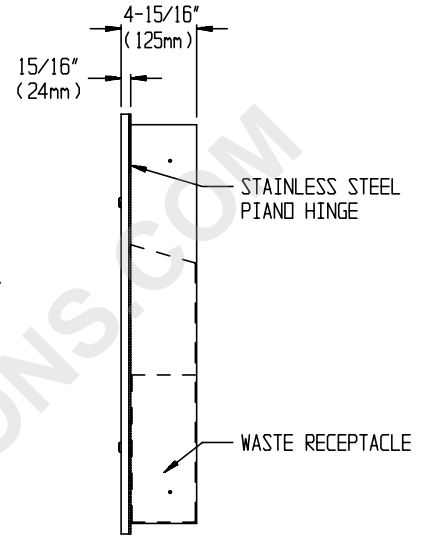
**PROFILE COLLECTION RECESSED MOUNTED PAPER TOWEL DISPENSER AND WASTE RECEPTACLE**



FRONT VIEW



SECTION 'A'



SIDE VIEW

**SPECIFICATION**

Profile Collection Recessed Mounted Paper Towel Dispenser and Waste Receptacle Unit shall hold and dispense 475 standard multi-fold or 350 standard C-fold paper towels and shall have a waste capacity of 2 gallons (7.6liters). Cabinet and door shall be fabricated of alloy 18-8 stainless steel, type 304. Cabinet shall be 20 gauge with a 1" (25mm) wide perimeter return to lay flat against wall. Full face door shall be 16 gauge, free of miters, welding or open seams with 15/16" (24mm) square horizontal returns to wall and 3/4" (19mm) rounded vertical edges. Door shall be attached to the edge of unit with a full length 3/16" (5mm) dia. stainless steel multi-staked piano hinge and shall be held closed with two (2) rimless tumbler locks keyed alike to other ASI washroom equipment. Towel dispensing slot shall have a fully deburred edge for snag-free dispensing and user safety. Waste receptacle shall be fabricated of stainless steel with hemmed edges and a finger-pull for ease of service removal. Structural assembly of body and door components shall be of welded construction. All exposed surfaces shall have N°4 satin finish.

**Profile Collection Recessed Paper Towel Dispenser and Waste Receptacle shall be Model N° 94623 as manufactured by American Specialties, Inc., 441 Saw Mill River Road, Yonkers, New York 10701- 4913**

**INSTALLATION**

Unit is mounted in wall recess using N° 10 self tapping screws (by others) through concealed mounting holes provided. For compliance with ADA Accessibility Guidelines, unit should be installed so that towel dispenser slot is 54" (1372mm) maximum above finished floor (AFF) if clear floor side reach access is provided or 48" (1219mm) max. AFF if clear floor forward reach access is only provided. Note that top of RWO is 3/4" (19mm) below top of unit.

**Rough Wall Opening (RWO) required is..... 12-3/4"W x 26-1/2"H x 4-1/4"D min (324mm x 673mm x 108mm)**

**OPERATION**

Towels are self-feeding until supply is depleted. Unit may be reloaded with a partial load in-place and will continue to feed properly. Waste container is emptied manually on cycle determined by maintenance needs.

Accessory Specialties

AMERICAN DISPENSER

Desert Ray Products

**WATROUS** INC.