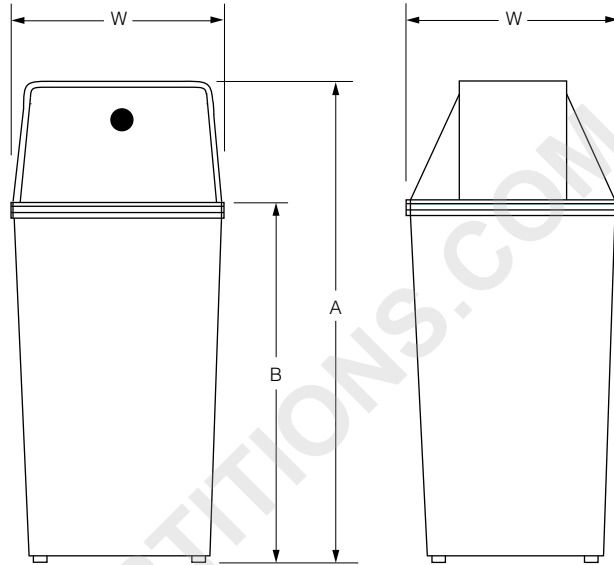




Technical Data

FLOOR-STANDING STAINLESS STEEL WASTE RECEPTACLES

B-2250



Model Number	Capacity	A	B	W	Optional Accessory Vinyl Liner Part No.
B-2250	13-gal. (49.2-L)	29-1/2" (750mm)	21-3/4" (553mm)	13.92" x 13.92" (354 x 354mm)	2250-3
B-2260	13-gal. (49.2-L)	Open-Top, No Cover	21-3/4" (553mm)	13.92" x 13.92" (354 x 354mm)	2250-3
B-2280	21-gal. (79.5-L)	Open-Top, No Cover	29-1/4" (756mm)	14-7/8" x 14-7/8" (378 x 378mm)	N/A

MATERIALS:

Waste Receptacle — 22-gauge (0.8mm) stainless steel with satin finish. Equipped with vinyl bumper strip and rubber feet. Hooks are provided to attach optional, removable liner (not provided) to upper interior corners.

Cover — 22-gauge (0.8mm) stainless steel with satin finish. Two spring-loaded, self-closing doors, which have an international graphic symbol to identify waste disposal, are secured with full-length, stainless steel piano-hinges.

OPERATION:

Entire cover is removable for easy servicing of receptacle. Vinyl bumper strip and rubber feet on waste receptacle protect wall and floor surfaces.

Designer's Note: Vinyl liners for waste receptacle are available from Bobrick as an accessory. Check the chart above for correct liner part number to order.

SPECIFICATION:

Waste receptacle shall be 22-gauge (0.8mm) stainless steel. Exposed surfaces shall have satin finish. Waste receptacle shall be equipped with vinyl bumper strip and rubber feet. Capacity shall be _____ (insert capacity).

Waste Receptacle shall be Model _____ (insert model number) of Bobrick Washroom Equipment, Inc. Clifton Park, New York; Jackson, Tennessee; Los Angeles, California; Bobrick Washroom Equipment Company, Scarborough, Ontario; Bobrick Washroom Equipment Pty. Ltd., Australia; and Bobrick Washroom Equipment Limited, United Kingdom.