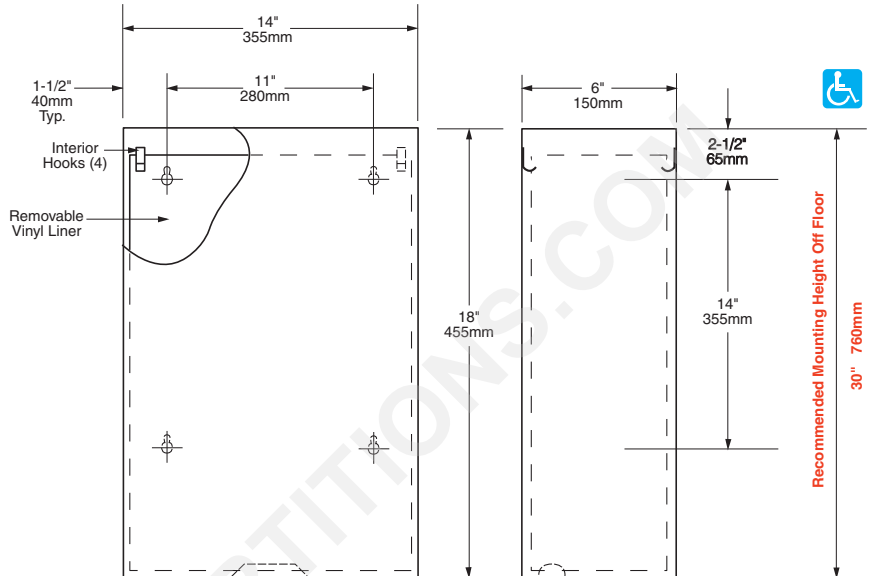
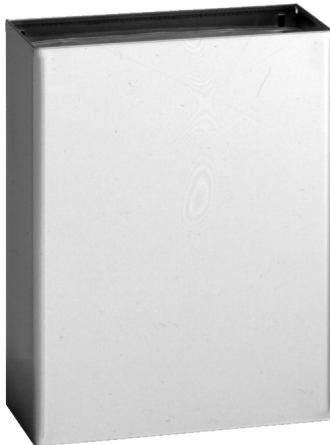




Technical Data

# SURFACE-MOUNTED WASTE RECEPTACLE

# B-279



### MATERIALS:

**Receptacle** — 18-8, type-304 stainless steel with satin finish. Front and sides are one-piece, 22 gauge (0.8mm); back and bottom are one-piece, 26 gauge (0.5mm). All-welded construction. Top edge hemmed and bottom has recessed finger grip for safe handling. Equipped with four spot-welded interior hooks for attaching the vinyl liner. Capacity: 6.4-gal. (24.2-L).

**Liner** — Heavy-gauge vinyl with four grommets. Removable for servicing.

### OPERATION:

Removable vinyl liner attaches to four interior hooks of waste receptacle. Space between bottom of receptacle and floor, when unit is properly mounted on wall, facilitates floor cleaning.

### INSTALLATION:

Mount unit on wall with four sheet-metal screws (not furnished) at points indicated by an S. For plaster or dry wall construction, provide concealed backing to comply with local building codes, then secure unit with sheet-metal screws. For other wall surfaces, provide fiber plugs or expansion shields for use with sheet-metal screws, or provide 1/8" (3mm) toggle bolts or expansion bolts.

### SPECIFICATION:

Surface-mounted waste receptacle shall be type-304 stainless steel with all-welded construction; exposed surfaces shall have satin finish. Front and sides of waste receptacle shall be one-piece, 22 gauge (0.8mm); back and bottom shall be one-piece, 26 gauge (0.5mm). Top edge shall be hemmed and bottom of waste receptacle shall have recessed finger grip. Waste receptacle shall be equipped with four interior hooks, furnished with a removable heavy-gauge vinyl liner, and shall have a minimum capacity of 6.4-gal. (24.2-L).

**Surface-Mounted Waste Receptacle shall be Model B-279 of Bobrick Washroom Equipment, Inc., Clifton Park, New York; Jackson, Tennessee; Los Angeles, California; Bobrick Washroom Equipment Company, Scarborough, Ontario; Bobrick Washroom Equipment Pty. Ltd., Australia; and Bobrick Washroom Equipment Limited, United Kingdom.**