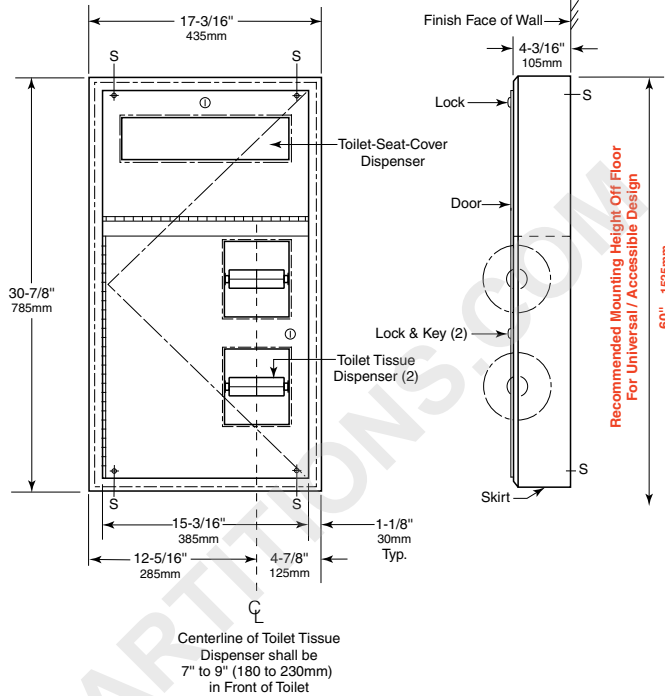




# Technical Data

# ClassicSeries® SURFACE-MOUNTED SEAT-COVER AND TOILET TISSUE DISPENSER

# B-3479



### MATERIALS:

**Skirt** — 18-8, Type-304, heavy-gauge stainless steel. Exposed surfaces have satin finish.

**Flange** — 18-8, Type-304, 22-gauge (0.8mm) stainless steel with satin finish. Drawn and beveled, one-piece, seamless construction.

**Doors** — 18-8, Type-304, 18-gauge (1.2mm) stainless steel with satin finish. One-piece, seamless construction. Secured to unit with a full-length stainless steel piano-hinge. Equipped with two tumbler locks keyed like other Bobrick washroom accessories.

**Toilet Tissue Dispensers (2)** — .100" (2.5mm) thick ABS. Equipped with two theft-resistant, heavy-duty, one-piece, molded ABS spindles.

### OPERATION:

Toilet-seat-cover dispenser holds 500 single- or half-fold paper covers. Doors unlock with key provided and swing open for filling. Spindles may be removed from unit only when door is open. Unit holds two standard-core toilet tissue rolls up to 5-1/4" (135mm) diameter (1800 sheets).

### INSTALLATION:

Mount unit on wall with four #8 x 1-1/4" (4.2 x 32mm) sheet-metal screws (not furnished) at points indicated by an S. For plaster or dry wall construction, provide concealed backing to comply with local building codes, then secure unit with screws. For other wall surfaces, provide fiber plugs or expansion shields for use with screws, or provide 1/8" (3mm) toggle bolts or expansion bolts.

**Important Note:** Where ANSI 2003 and 2009 apply individual toilet tissue dispensers, toilet-seat-cover dispensers and sanitary napkin disposals must be installed below the horizontal grab bar allowing space for installation of the vertical grab bar.

### SPECIFICATION:

Surface-mounted toilet-seat-cover and toilet tissue dispenser shall be Type-304 stainless steel; exposed surfaces shall have satin finish. Toilet tissue dispenser shall be ABS plastic. Flange shall be drawn and beveled, one-piece, seamless construction. Unit shall be mounted on side wall of single toilet compartment. Doors shall be one-piece, seamless construction; secured to unit with a full-length stainless steel piano-hinge; and equipped with tumbler locks keyed like other Bobrick washroom accessories. Toilet-seat-cover dispenser shall hold 500 paper covers. Unit shall be equipped with two theft-resistant, heavy-duty ABS toilet tissue spindles that hold standard-core rolls up to 5-1/4" (135mm) diameter (1800 sheets). Spindles shall be removable from unit only when door is open.

**Surface-Mounted Seat-Cover And Toilet Tissue Dispenser shall be Model B-3479 of Bobrick Washroom Equipment, Inc., Clifton Park, New York; Jackson, Tennessee; Los Angeles, California; Bobrick Washroom Equipment Company, Scarborough, Ontario; Bobrick Washroom Equipment Pty. Ltd., Australia; and Bobrick Washroom Equipment Limited, United Kingdom.**